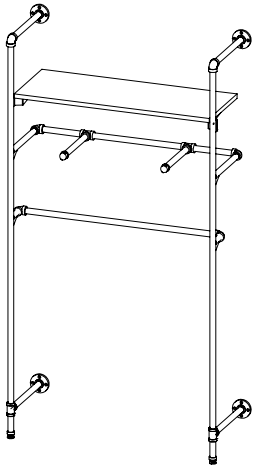
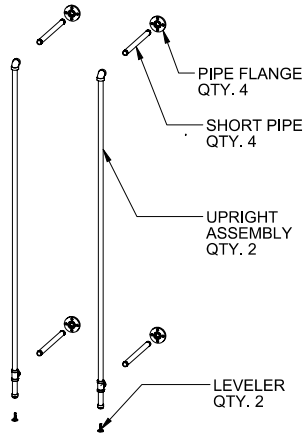


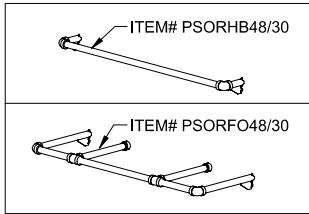
**ASSEMBLY
INSTRUCTIONS FOR:
PSOR**



INCLUDED HARDWARE



OPTIONAL COMPONENTS

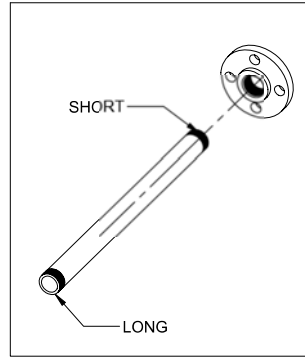


TOOLS REQUIRED FOR ASSEMBLY

- TAPE MEASURE
- 48" BUBBLE LEVEL OR LASER LEVEL
- MOUNTING HARDWARE
(COUNTERSUNK WOOD SCREWS OR
DRYWALL ANCHORS WITH SCREWS)
- LADDER

PSOR

1

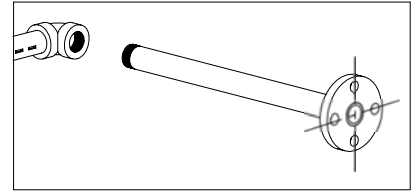


x4

DETERMINE WHICH SIDE OF THE SHORT
PIPES HAVE LONGER THREADING.
INSTALL ALL PIPE FLANGES ONTO THE
SHORT PIPES SHORT THREADING AS
SHOWN.

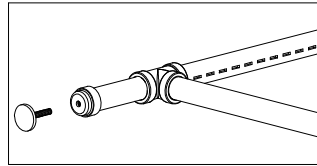
2

x2



INSTALL THE ASSEMBLED
SHORT PIPE AND FLANGE ONTO
THE UPRIGHT ASSEMBLY.
TIGHTEN WITH THE FLANGE SO
THE FLANGE IS ORIENTED AS
SHOWN. **NOTE: LEAVING THE
PIPE/FLANGE ASSEMBLY
PARTIALLY LOOSE WILL ALLOW
FOR MINOR ADJUSTMENTS
DURING INSTALLATION.**

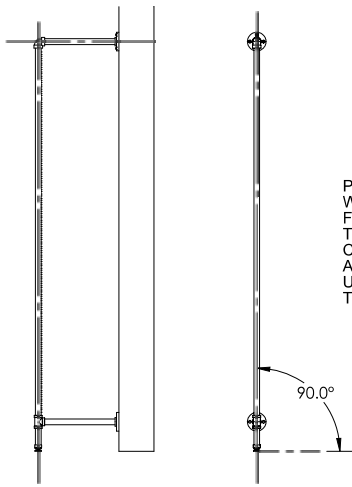
x2



INSTALL BOTH LEVELERS INTO THE
UPRIGHT ASSEMBLIES AS SHOWN.

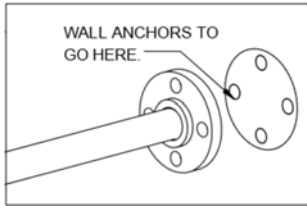
SHEET 1 OF 2

3



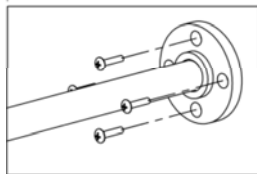
POSITION THE UPRIGHT ON THE WALL SO BOTH FLANGES ARE FLAT AGAINST THE WALL AND THE LEVELER IS MAKING CONTACT WITH THE FLOOR. USE A LEVEL TO MAKE SURE THE UPRIGHT IS PERPENDICULAR TO THE FLOOR.

4

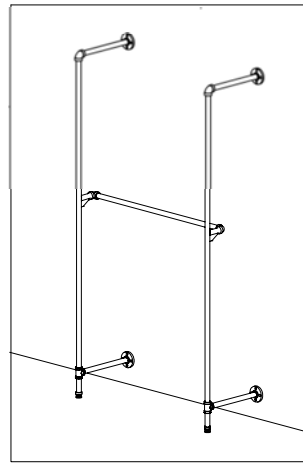


IF WALL ANCHORS ARE REQUIRED, TRACE THE FLANGE AND THE SCREW HOLE POSITIONS ON BOTH FLANGES. WITH MARKS MADE, REMOVE THE UPRIGHT ASSEMBLY AND INSTALL ANCHORS WHERE THEY ARE NEEDED. **NOTE: IF THE WALL STRUCTURE DOESN'T REQUIRE ANCHORS, OR BLOCKING IS BEING USED, TRACING THE FLANGE IS NOT REQUIRED.**

SCREW THE FLANGES TO THE WALL.

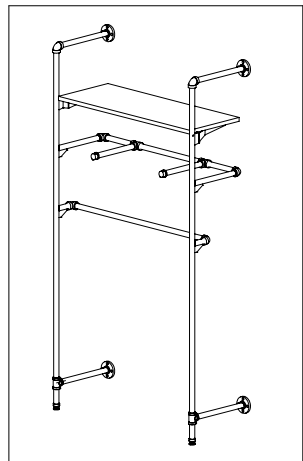


5



POSITION THE SECOND UPRIGHT ASSEMBLY AT EITHER 30" OR 48" O.C. ANY OF THE WELDED ACCESSORIES (ITEM# PSORHB48/30 OR ITEM# PSORFO48/30) CAN BE USED TO TEST THE DISTANCE BETWEEN THE UPRIGHTS AS SHOWN. WITH ONE PERSON SUPPORTING THE UNSECURED UPRIGHT, IF IT IS DIFFICULT TO INSTALL OR REMOVE, THE ON CENTER DISTANCE NEEDS TO BE ADJUSTED. IF THE ACCESSORY IS CROOKED, THE UPRIGHT LEVELER NEEDS TO BE ADJUSTED. **NOTE: IF ACCESSORIES ARE NOT AVAILABLE, USE A TAPE MEASURE TO CHECK THE ON CENTER DISTANCE AND A 48" LEVEL TO CHECK THE SLOTS ARE AT EQUAL HEIGHTS.**

6



REPEAT STEPS 1-4 FOR THE THE REMAINING UPRIGHT ASSEMBLY.