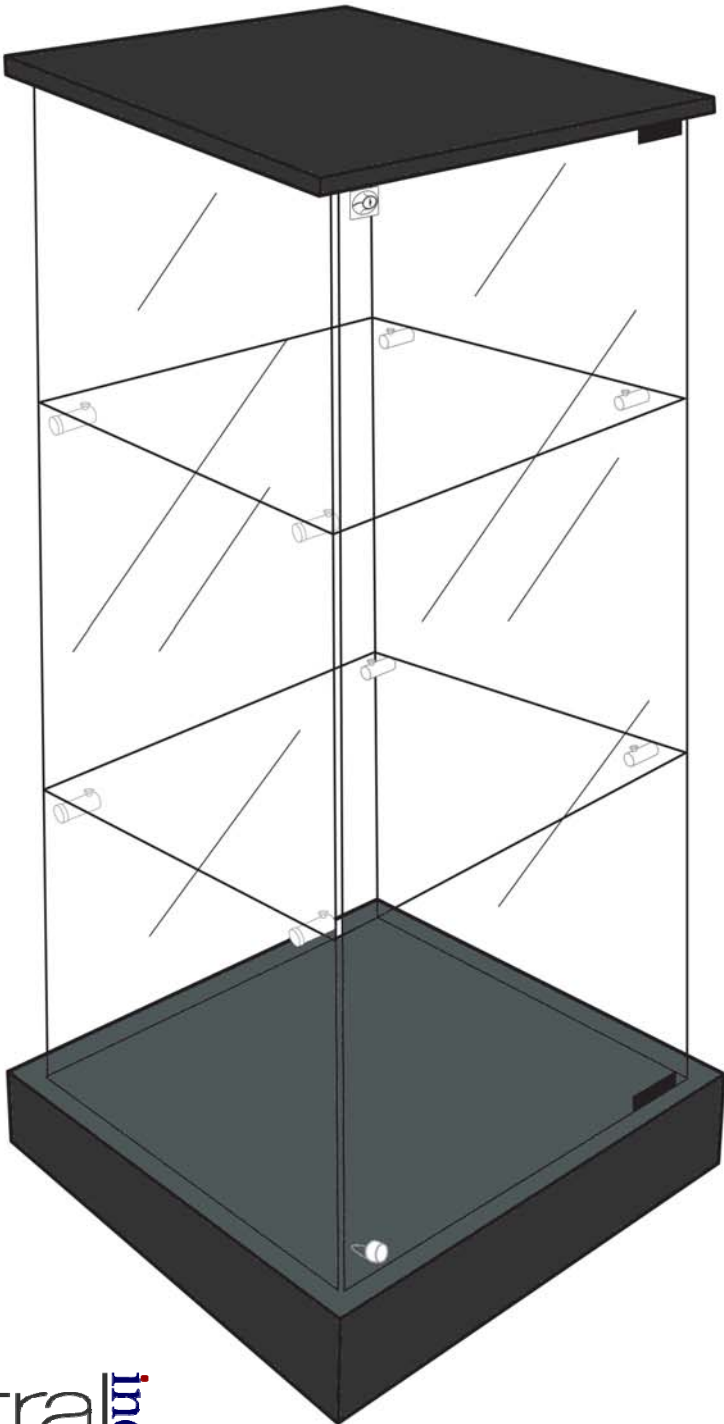


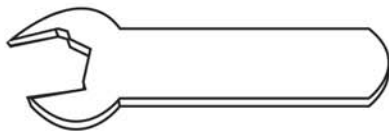
Assembly Instructions

Frameless Countertop Display Case

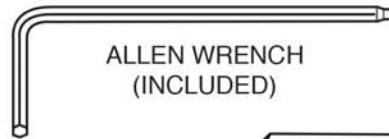


Subastral^{inc}

RECOMMENDED TOOLS FOR ASSEMBLY:



BOX WRENCH
(INCLUDED)

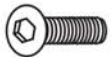


ALLEN WRENCH
(INCLUDED)



PHILLIPS SCREW DRIVER
(NOT INCLUDED)

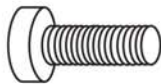
PARTS IN CARTON:



ALLEN WRENCH
SCREWS
(20 EACH)



PLASTIC WASHERS
(20 EACH)



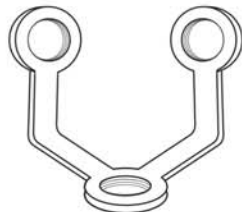
ROUND HEAD
SCREWS
(8 EACH)



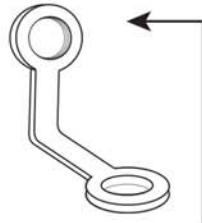
CHROME CYLINDERS
(8 EACH)



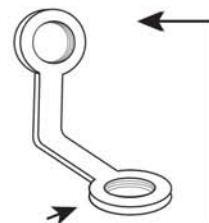
CLEAR RUBBER
PLUGS
(8 EACH)



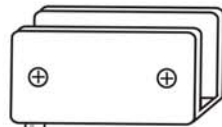
U-SHAPED
CORNER BRACKETS
(4 EACH)



L-SHAPED
BOTTOM BRACKETS
(2 EACH)
THREADED ON ONE SIDE



L-SHAPED
TOP BRACKETS
(2 EACH)
THREADED ON TWO SIDES



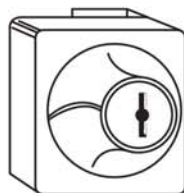
DOOR HINGE
(2 EACH)

HINGE SLEEVE
(2 EACH)

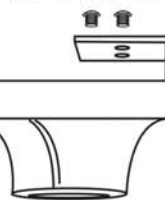


PLASTIC PLUGS
(4 EACH)
FOR DOOR HINGES

CABINET LOCK
(LOCK MUST GO ON
LEFT FRONT DOOR)



FRONT



SIDE

(2) SET SCREWS

(2) KEYS

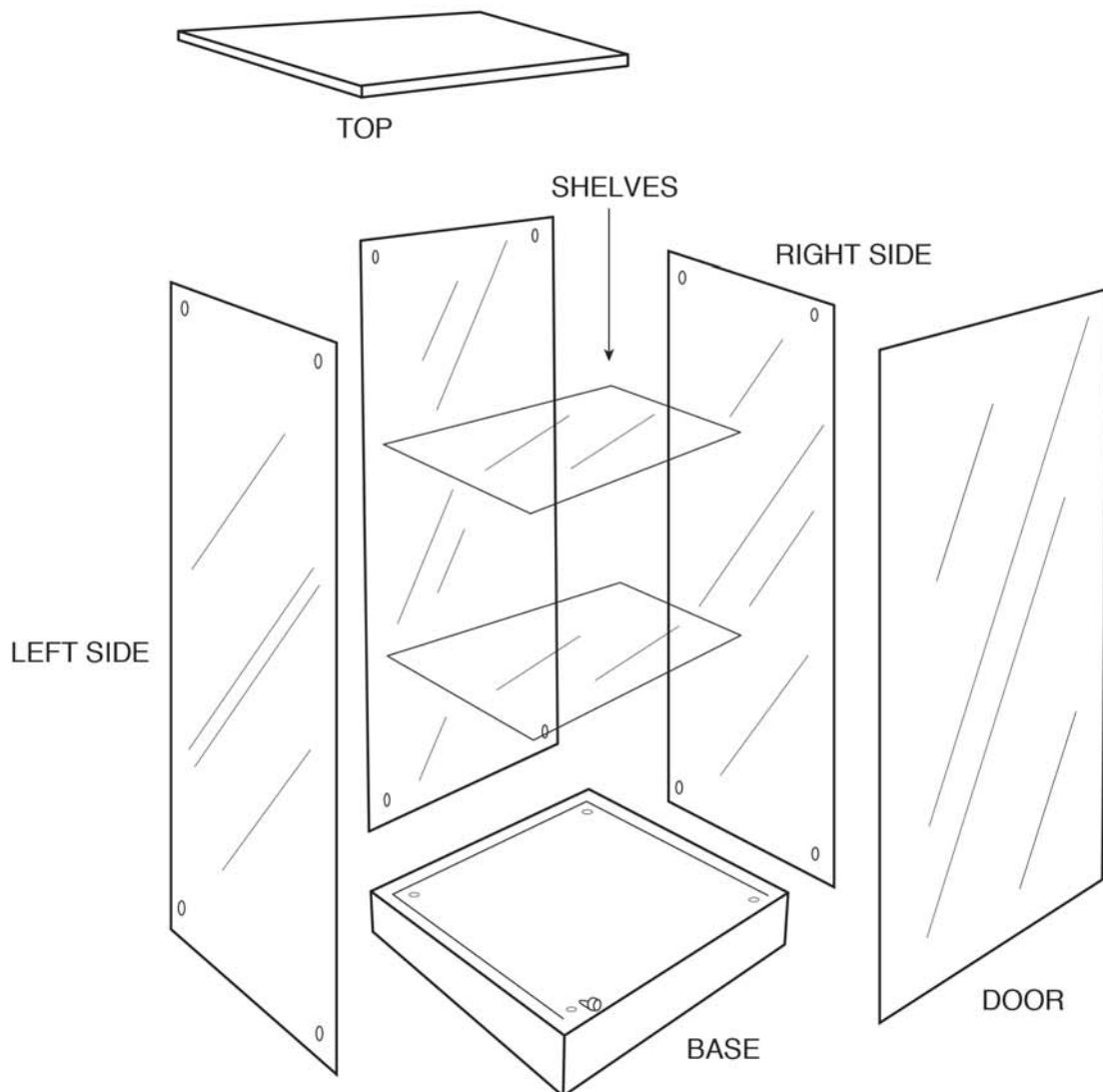


Subastral^{inc}

PARTS IN CARTON:

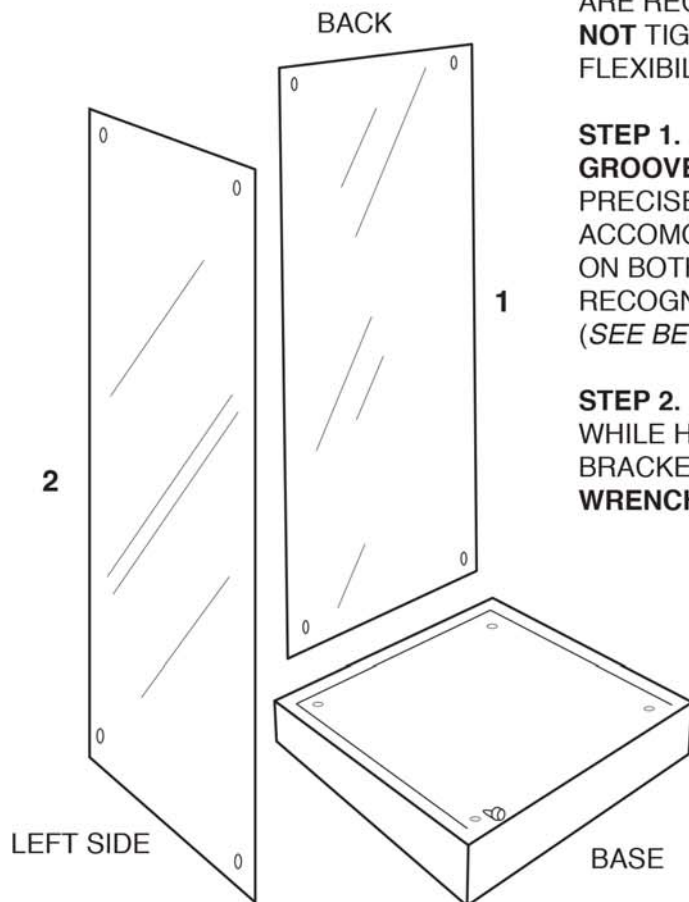
CAREFULLY REMOVE CABINET PIECES FROM PACKING. CABINET SETUP INCLUDES:

- (2) SIDE GLASS - LEFT & RIGHT
- (2) SHELF GLASS
- BACK GLASS
- GLASS DOOR
- CABINET TOP
- FRONT STABILIZING BAR
- CABINET BASE WITH DOOR STOP



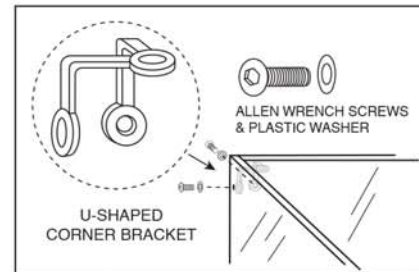
Subastral^{inc}

* IN **STEPS 1, 2 AND 3** OF THE ASSEMBLY - TWO PEOPLE ARE RECOMMENDED. HAND SCREW IN HARDWARE. **DO NOT** TIGHTEN WITH ALLEN WRENCH YET. THIS ALLOWS FLEXIBILITY UNTIL ASSEMBLY IS NEARLY COMPLETE.



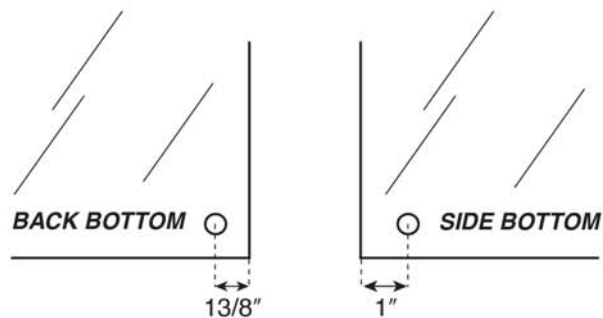
STEP 1. PLACE **BACK GLASS** PANEL INTO **BACK GROOVE** OF CABINET BASE. MAKE SURE GLASS PRECISELY FITS **BACK BASE GROOVE** IN ORDER TO ACCOMODATE THE SIDE PANELS NEXT. MAKE CERTAIN ON BOTH BACK AND SIDE PANELS THAT YOU RECOGNIZE THE BOTTOM OF EACH PANEL CORRECTLY. (SEE BELOW FOR DETAILS)

STEP 2. PLACE **LEFT SIDE GLASS** INTO **BASE GROOVE** WHILE HOLDING **BACK GLASS** TO LINE UP FIRST GLASS BRACKET. ATTACH **U-BRACKET (TOP)** WITH **ALLEN WRENCH SCREWS AND WASHERS**.



IMPORTANT!

BOTTOM OF BOTH BACK AND SIDE GLASS HAS SLIGHTLY DIFFERENT HOLE PLACEMENT THAN THE TOP OF EACH PIECE OF GLASS



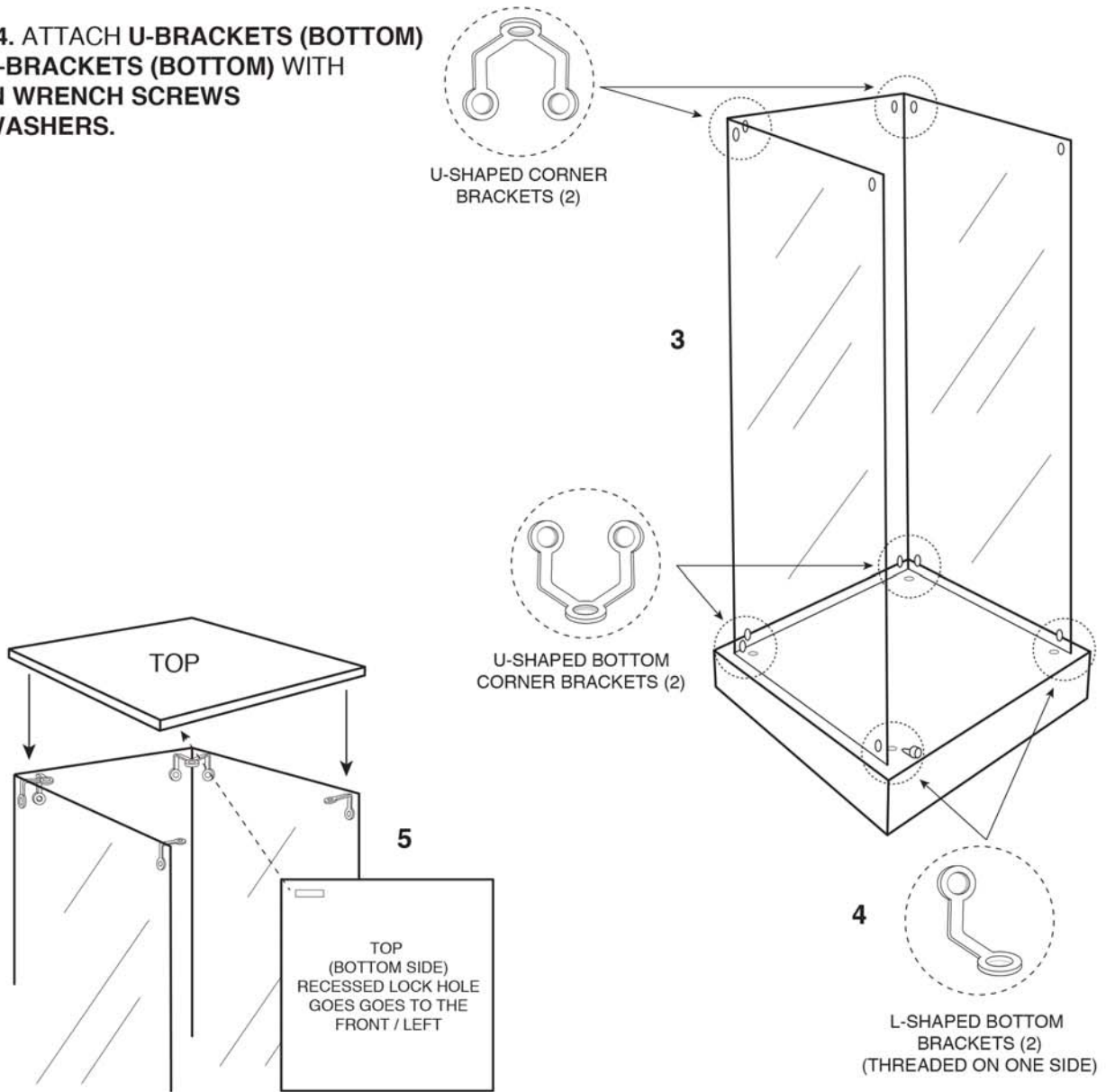
MEASURE THE GLASS SPACE BETWEEN EDGE OF GLASS AND CENTER OF HOLE. HOLE FURTHEST FROM EDGE GOES ON BOTTOM.

GLASS CAN ONLY BE ASSEMBLED ONE WAY!

Subastral^{inc}

STEP 3. PLACE RIGHT SIDE GLASS INTO SIDE BASE GROOVE. ATTACH U-BRACKET (TOP) WITH ALLEN WRENCH SCREWS AND WASHERS.

STEP 4. ATTACH U-BRACKETS (BOTTOM) AND L-BRACKETS (BOTTOM) WITH ALLEN WRENCH SCREWS AND WASHERS.

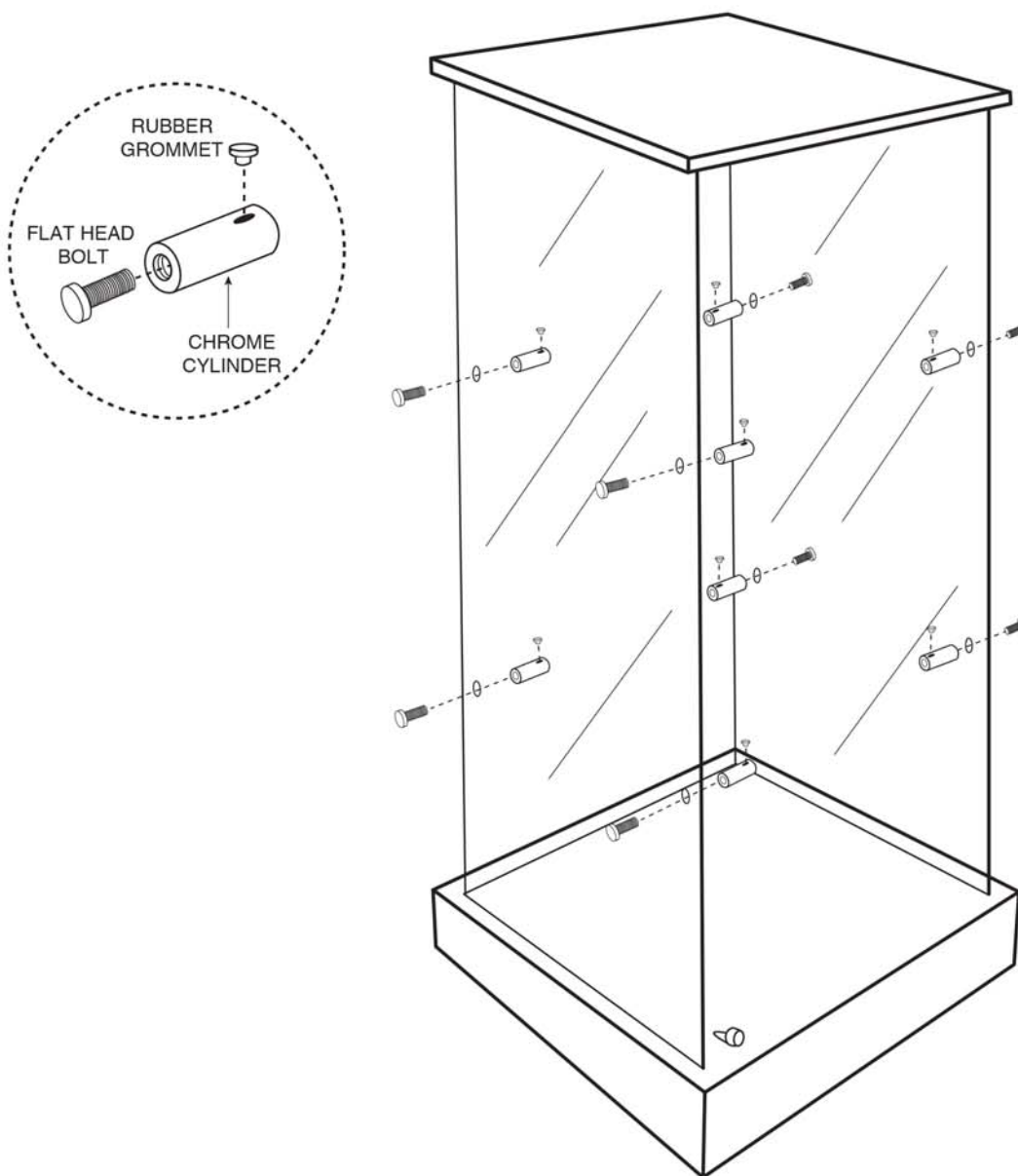


STEP 5. PLACE TOP ONTO ASSEMBLY. ATTATCH WITH ALLEN SCREW AND PLASTIC WASHERS AND L-BRACKETS.

Subastral^{inc}

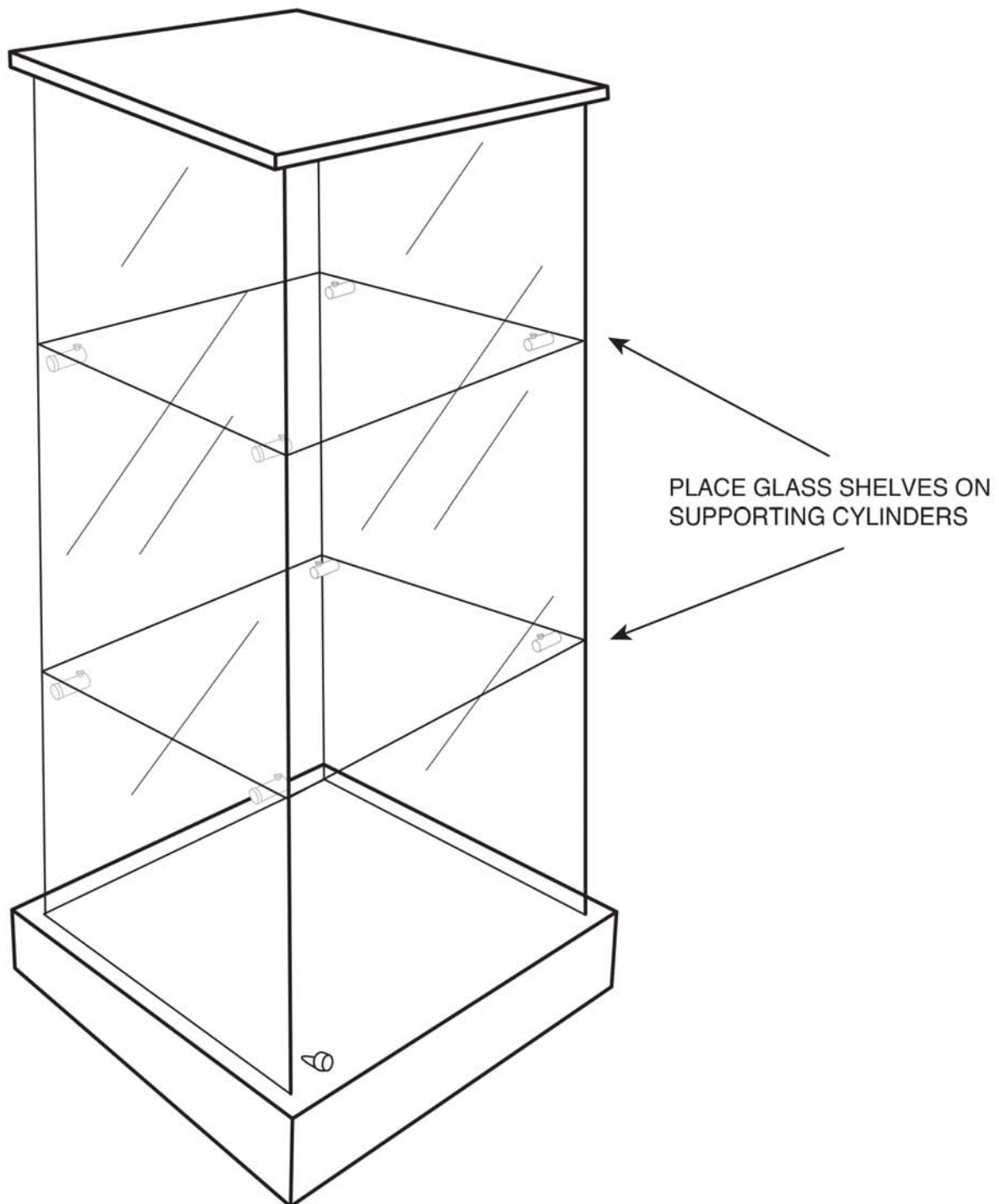
STEP 6. SCREW FLAT HEAD BOLTS INTO CHROME CYLINDERS - PLACE RUBBER GROMMETS INTO HOLES (THIS SUPPORTS GLASS SHELF). (8) CYLINDERS ALL TOGETHER (4 FOR EACH SHELF).

***NOTE** - MAKE SURE RUBBER GROMMETS ARE FACING UP TO SUPPORT GLASS SHELVES.



Subastral^{inc}

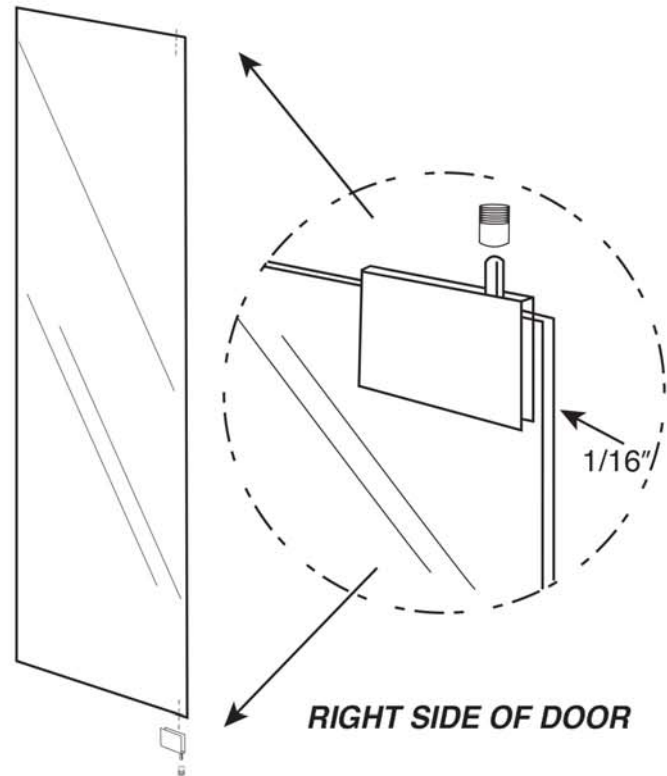
STEP 7. HAND TIGHTEN ALL HARDWARE BEFORE INSTALLING SHELVES.



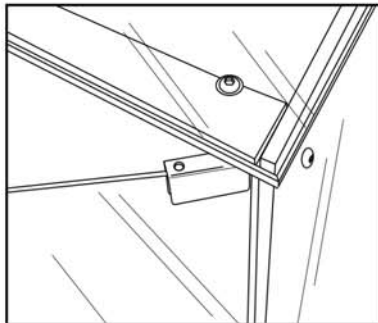
Subastral^{inc}

STEP 8. WHEN INSERTING HINGE DOOR PIN INTO ASSEMBLY - INSERT SLEEVE INTO BASE AND THEN INTO STABILIZING BAR (TOP) - SLIDE DOOR PIN INTO SLEEVE TO STABILIZE DOOR. INSERT TOP DOOR PIN INTO GLASS TOP.

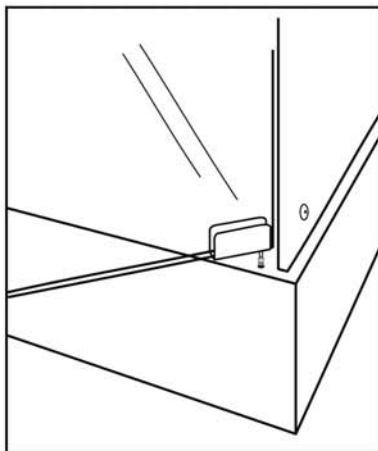
ATTACH DOOR SLEEVES APPROXIMATELY 1/16" FROM EDGE OF GLASS.



TOP RIGHT CORNER



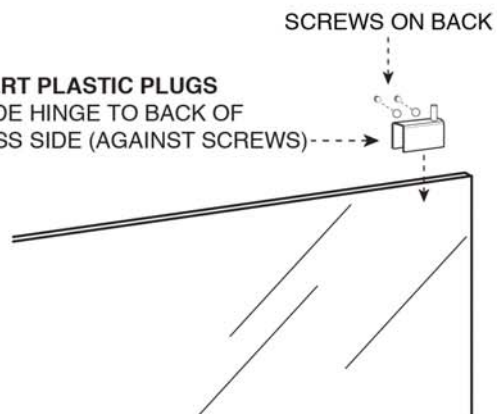
BOTTOM RIGHT CORNER



ATTACH **TOP RIGHT** OF FRONT DOOR (APPROXIMATELY 1/16" FROM EDGE OF GLASS) - **REPEAT** HINGE ASSEMBLY ON **BOTTOM**

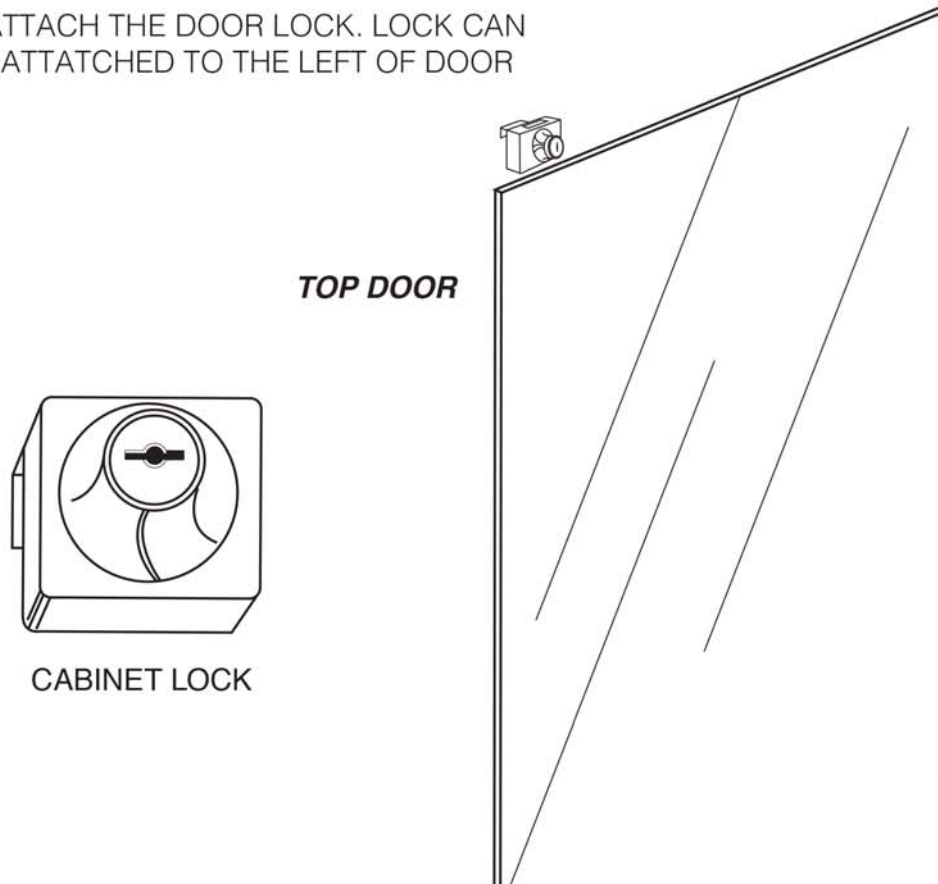
(PLACE DROP OF GLUE ON PLASTIC TO HOLD IN PLACE)

INSERT **PLASTIC PLUGS** INSIDE HINGE TO BACK OF GLASS SIDE (AGAINST SCREWS) -



Subastral^{inc}

STEP 9. ATTACH THE DOOR LOCK. LOCK CAN ONLY BE ATTACHED TO THE LEFT OF DOOR



STEP 10. ADJUST DOOR BEFORE ATTACHING THE LOCK. LEVEL DOOR TO SIDE GLASS BY ADJUSTING DOOR HINGE SCREWS.

ADJUST LOCK ON DOOR SO WHEN LOCKED THAT THE LEVER FITS INTO RECESSED PART OF TOP.

STEP 11. TIGHTEN ALL ALLEN WRENCH SCREWS ONCE THE DOOR HAS BEEN INSTALLED AND OPENS AND CLOSSES PROPERLY (LEVEL DOOR TO LEFT & RIGHT SIDE PANELS).

THIS COMPLETES THE ASSEMBLY.

