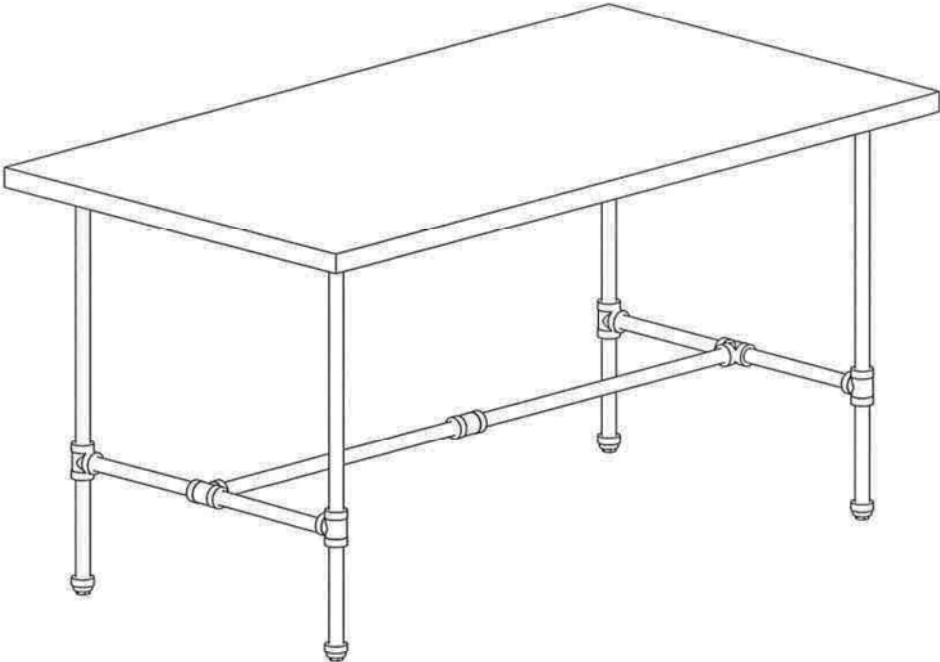
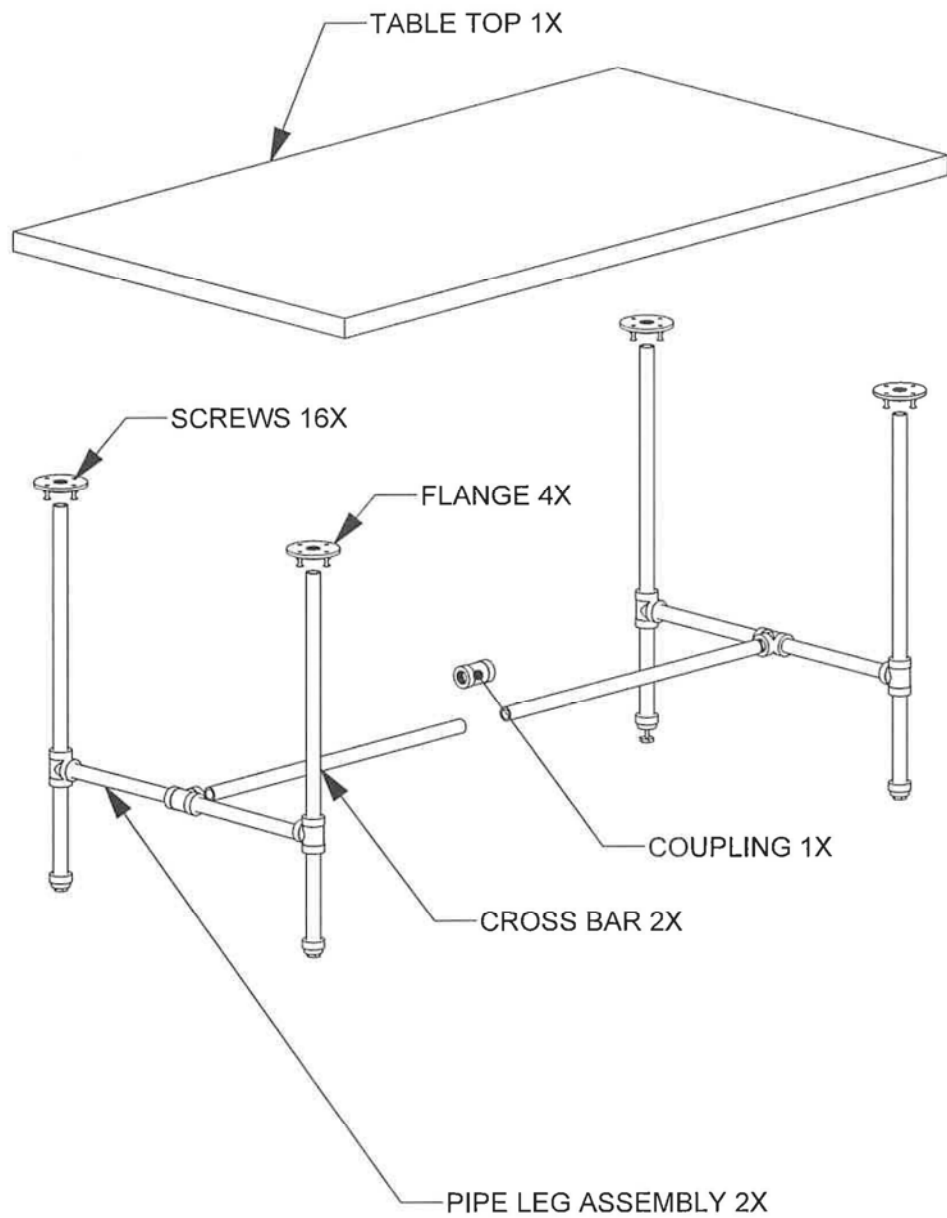


Assembly Instructions



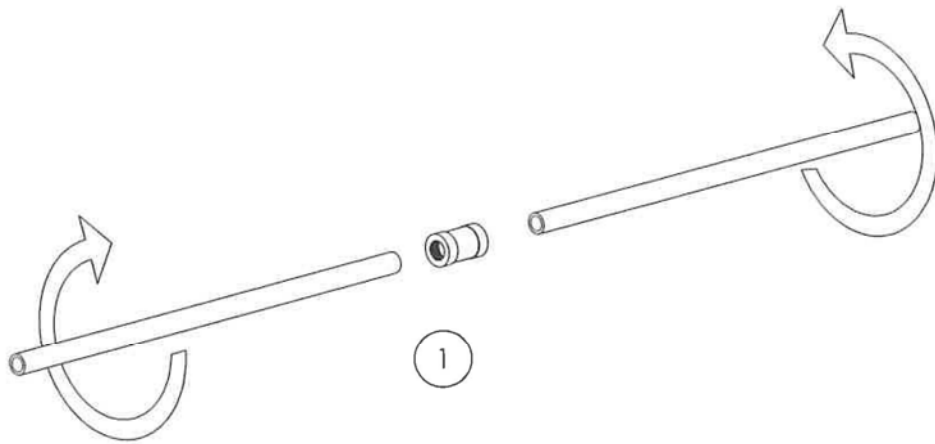
PIPE NESTING TABLE

ITEM#: PLNT3

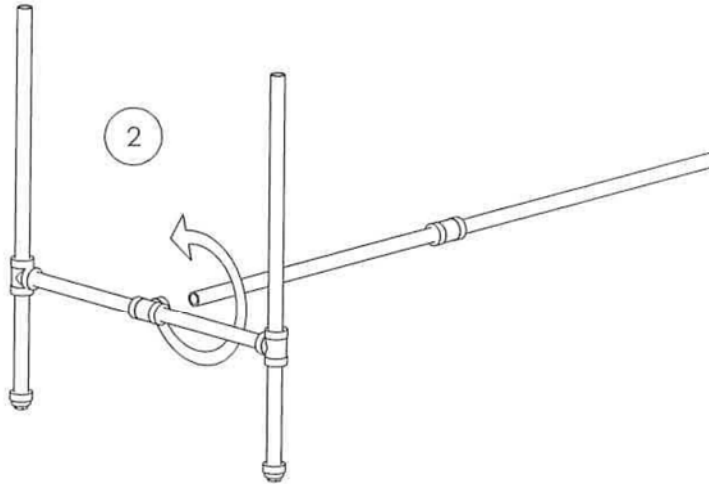


INCLUDED PARTS

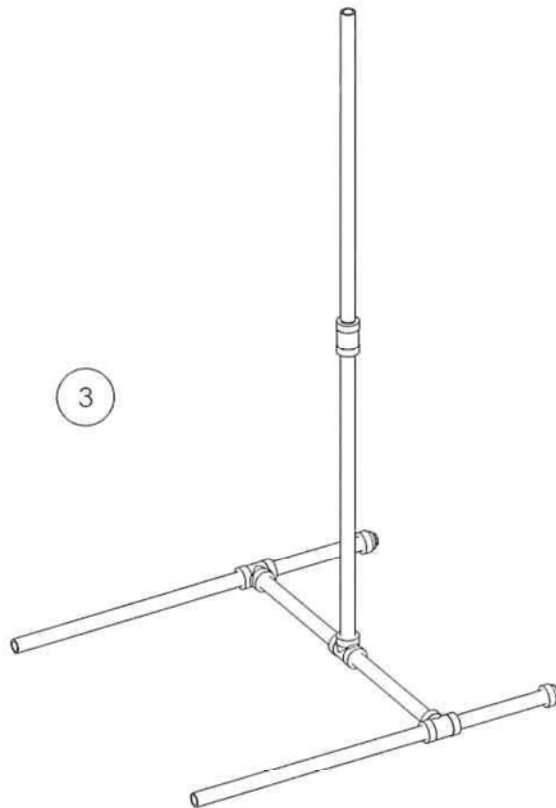
TOOLS REQUIRED: POWER DRILL WITH PHILLIPS HEAD DRILL BIT
TOOL RECOMMENDED/OPTIONAL: RULER/MEASURING TAPE

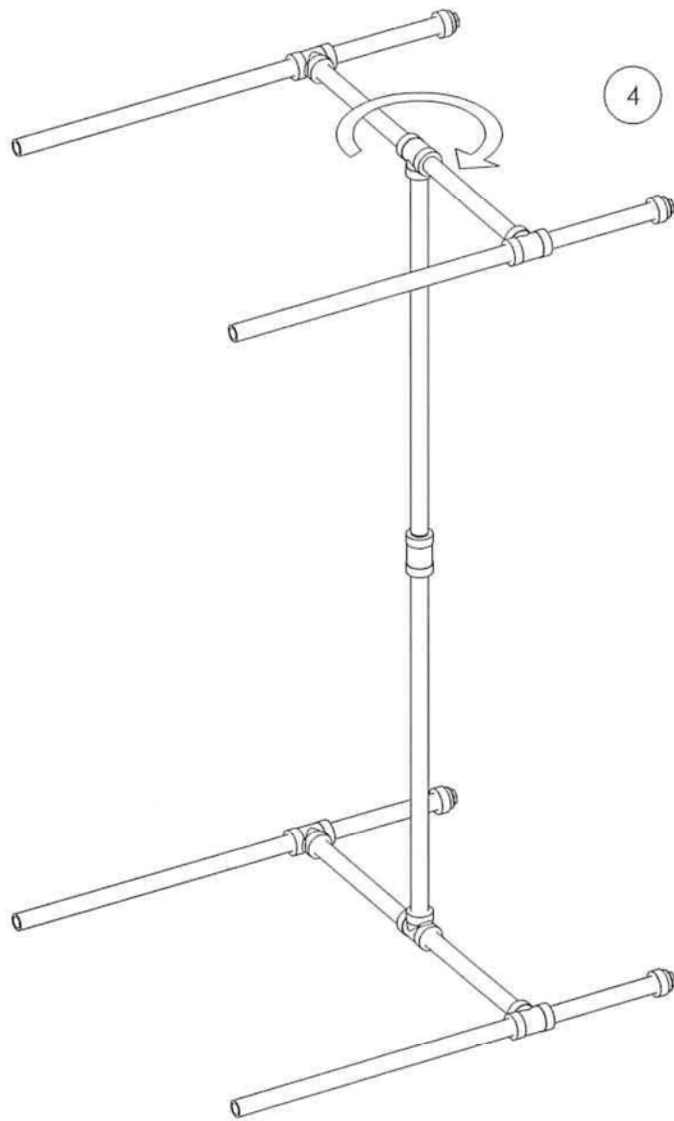


- ① SCREW THE CROSS BARS INTO THE COUPLING AS SHOWN. TIGHTEN IT FULLY.

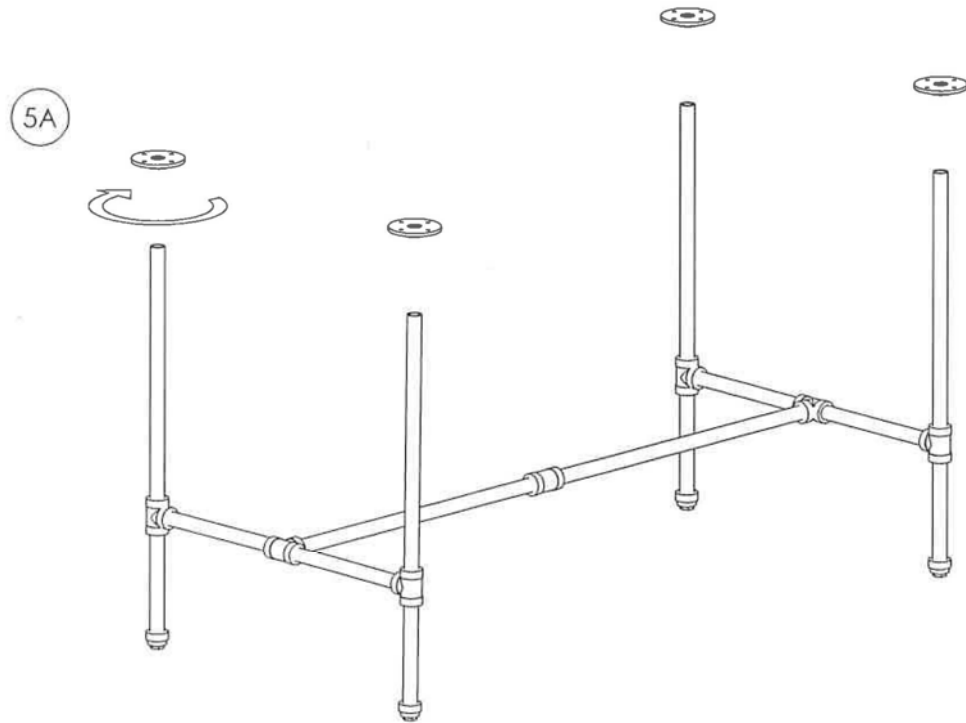


- 2 SCREW THE CROSS BAR TO ONE OF THE PIPE LEG ASSEMBLIES AS SHOWN. TIGHTEN IT FULLY.
- 3 TURN THE PIPE LEG AND CROSS BAR ASSEMBLY ONTO ITS SIDE SO THE CROSS BAR IS FACING UP AS SHOWN.



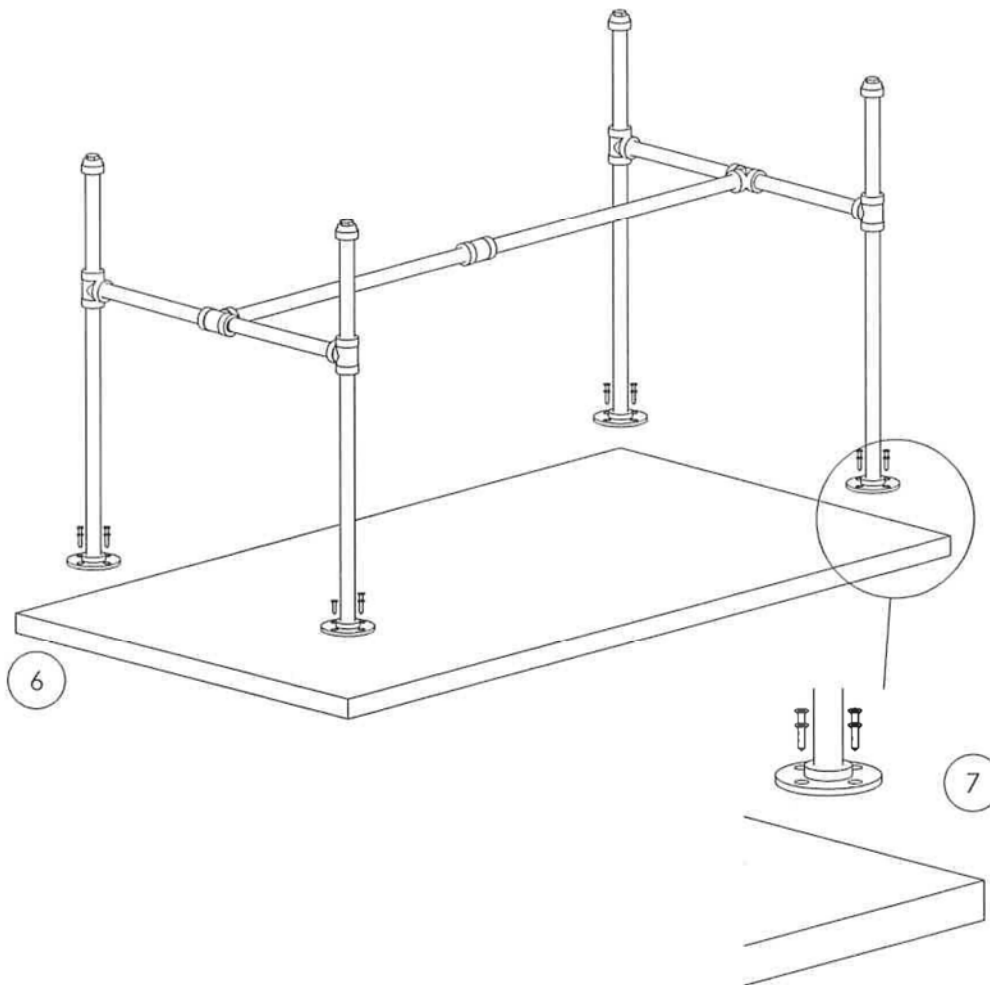


4 SCREW THE REMAINING PIPE LEG ASSEMBLY ONTO THE CROSS BAR AS TIGHT AS POSSIBLE WHILE KEEPING THE 4 LEGS POINTING TO THE GROUND.



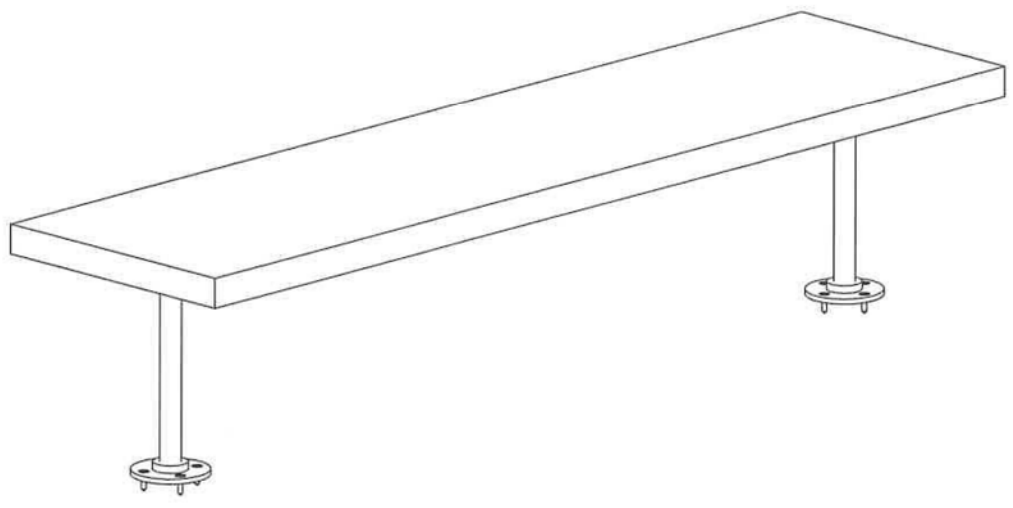
5 WITH 2 PEOPLE, FLIP THE PIPE ASSEMBLY ONTO ITS FEET.

5A SCREW THE FLANGES TO THE TOPS OF THE PIPE LEG ASSEMBLIES. TIGHTEN IT FULLY.



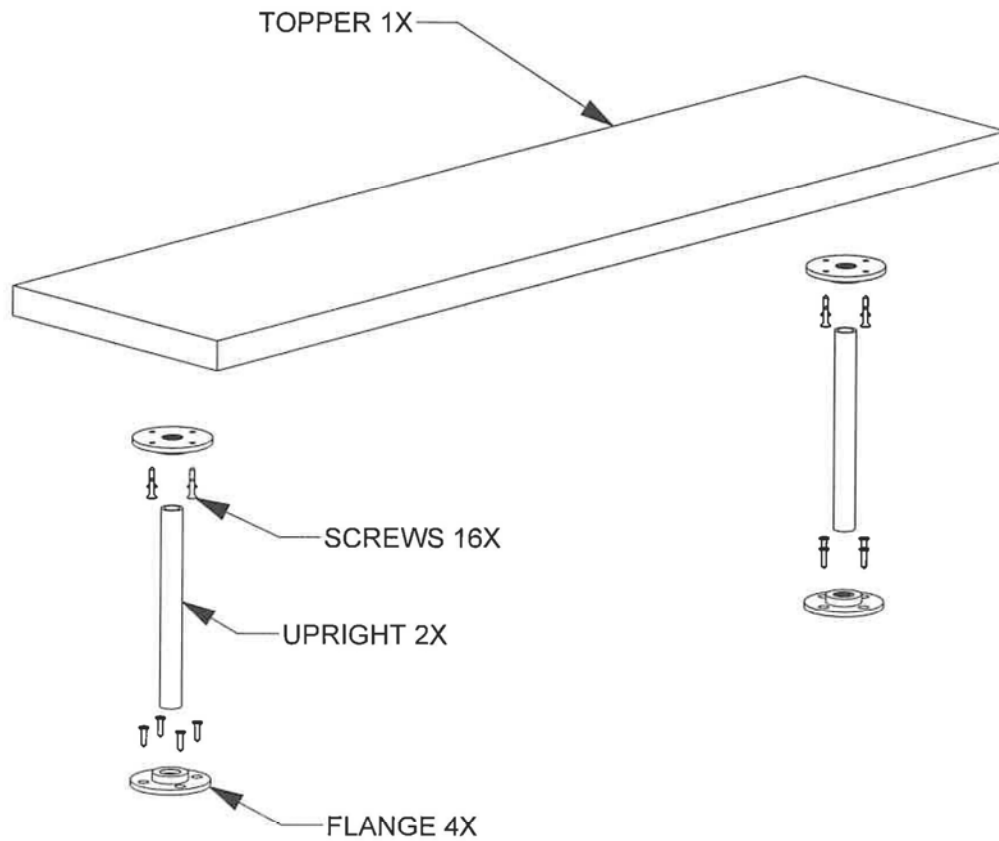
- 6 PLACE THE TABLETOP ONTO A SURFACE THAT WILL NOT DAMAGE THE FINISH.
- 7 ALIGN THE ASSEMBLY APPROXIMATELY ON THE CENTER OF TABLE TOP. USING POWER DRILL SCREW FLANGES TO TABLE TOP. ALTERNATIVELY, USE TEMPLATE TO ALIGN ASSEMBLY TO THE CENTER OF TABLE TOP.

NOTE: A RULER OR TAPE MEASURER CAN BE USED TO ASSURE THE FLANGES ARE EQUALLY SPACED ON ALL SIDES.



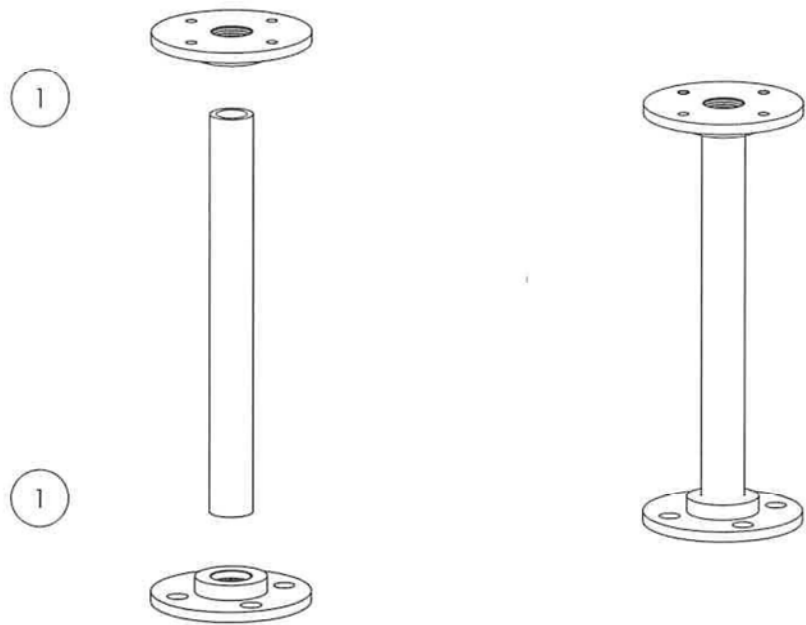
TOPPER

ITEM#: PLT54

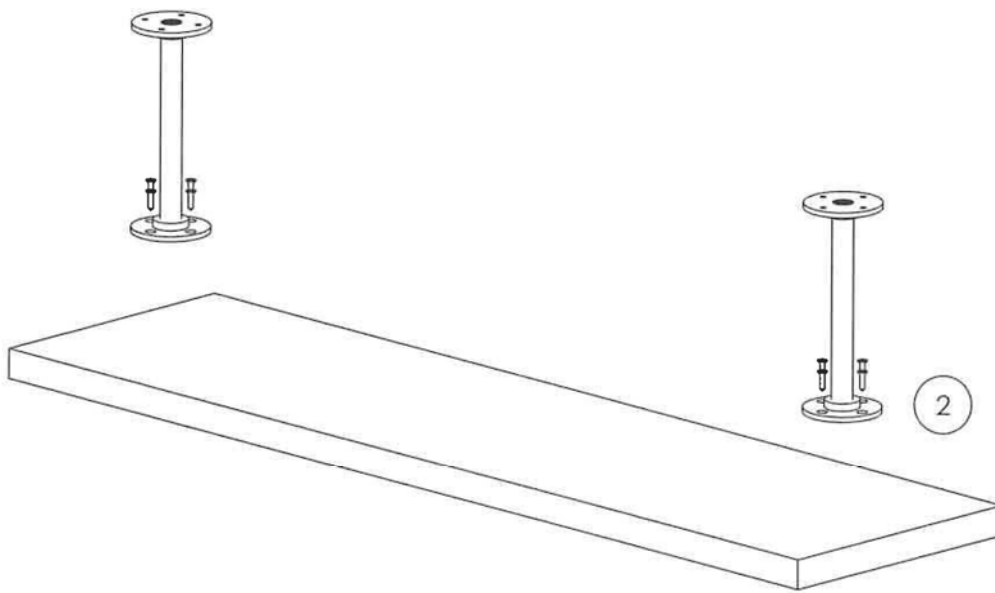


INCLUDED PARTS

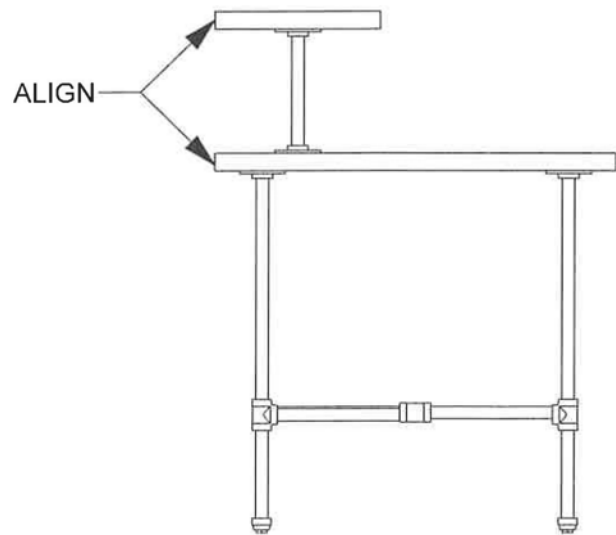
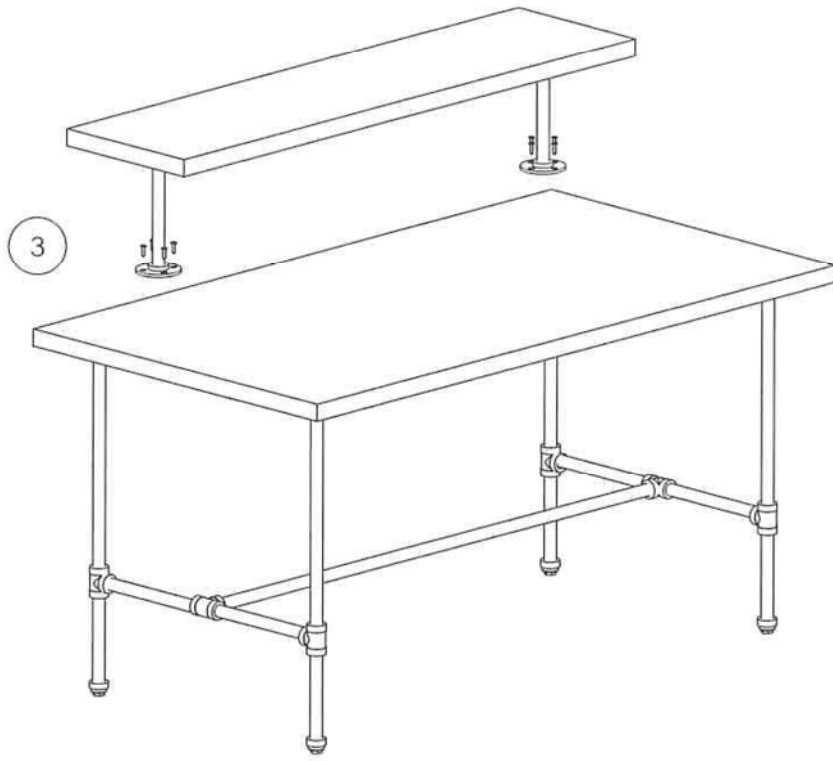
TOOLS REQUIRED: POWER DRILL WITH PHILLIPS HEAD DRILL BIT
TOOL RECOMMENDED/OPTIONAL: MEASURING TAPE



1 BY HAND, SCREW THE FLANGES TO UPRIGHT AS SHOWN. TIGHTEN FULLY.



- 2 ALIGN CENTER OF FLANGE ON BOTTOM SIDE OF TOPPER BY USING EITHER MEASURING TAPE (RECOMMENDED) OR USING TEMPLATES PROVIDED AT THE END OF THIS DOCUMENT FOR ALIGNMENT.
- USING POWER DRILL, FASTEN WOOD SCREWS THROUGH FLANGES AND INTO WOOD.

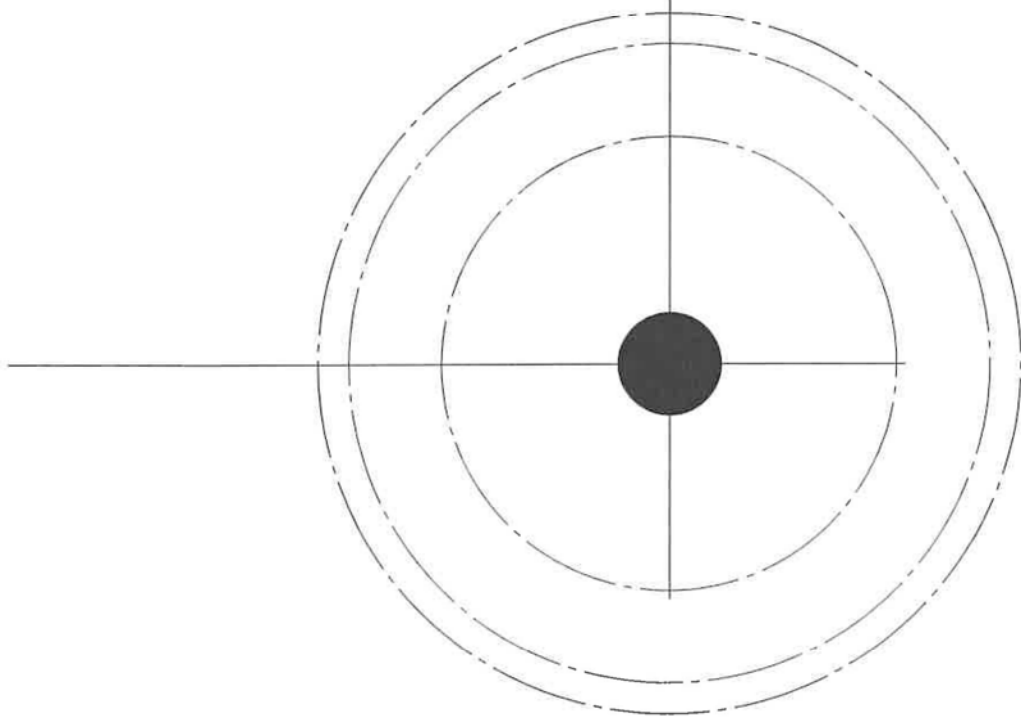


3 ALIGN BACK OF TOPPER WITH BACK OF TABLE TOP. USING POWER DRILL, FASTEN WOOD SCREWS THROUGH FLANGES OF TOPPER AND INTO WOOD OF TABLE TOP.

↑ ↑
ALIGN ALONG THE BACK
EDGE OF TOPPER

←
ALIGN ALONG
THE SIDE EDGE
OF TOPPER

- (A) ALIGN EDGES OF TEMPLATE
W/ EDGES TOP.
- (B) ALIGN CENTER OF FLANGES
APPROXIMATELY TO THE
CENTER OF TARGET BELOW



A

ALIGN EDGES OF TEMPLATE
W/ EDGES TOP.

B

ALIGN CENTER OF FLANGES
APPROXIMATELY TO THE
CENTER OF TARGET BELOW

↑ ↑
ALIGN ALONG THE EDGE

→
ALIGN
ALONG
THE
EDGE

→

