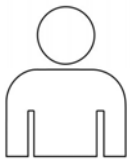
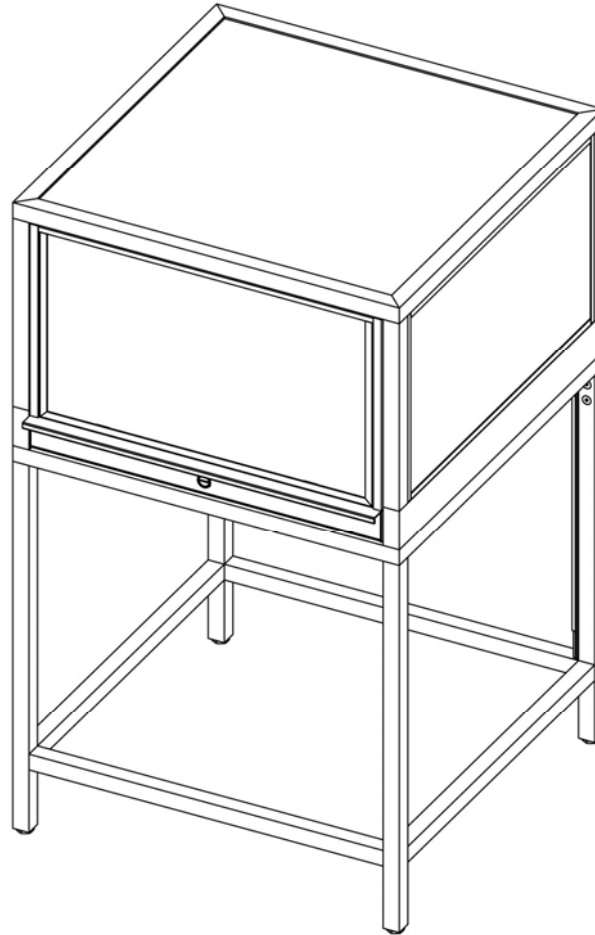


SQUARE CORNER SHOWCASE

ITEM # DCN525

INCLUDES 3 CARTONS (A-C)



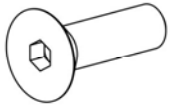
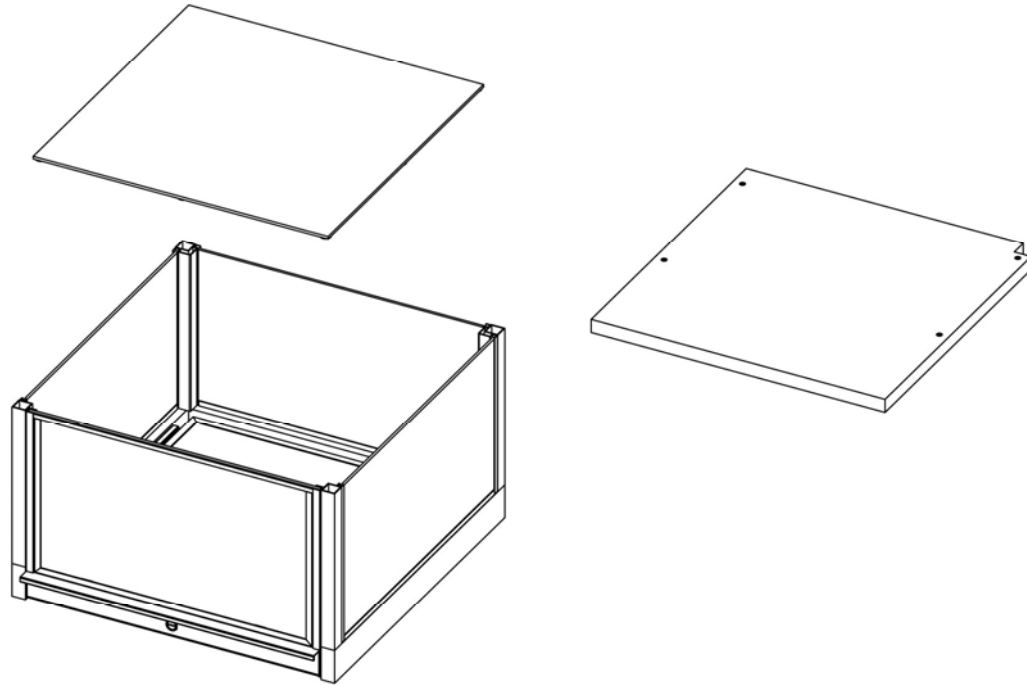
**2 PEOPLE
REQUIRED
FOR
ASSEMBLY**

GLASS SHOWCASE

NOTE: SHIPPED UNASSEMBLED

2 CARTONS:

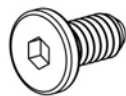
1. (5) GLASS PIECES (CARTON B);
WOOD TOP
2. BOTTOM FRAME (CARTON C)
(INCLUDES FRAME PIECES, POWER
SUPPLY MOUNTING BRACKET)



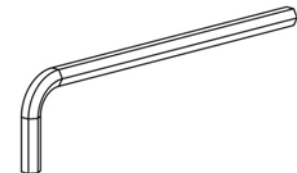
4X
1/4-20 X 0.875" L
CSK SOCKET HEAD
SCREWS



2X
#8-32 X 0.315" L
SOCKET BUTTON
HEAD SCREWS



18X
1/4-20 X 0.5" L
FLAT HEAD HEXAGON SOCKET SCREWS
(4) TO SECURE REAR UPRIGHTS
(4) TO SECURE FRONT FRAME
(4) TO SECURE TO WOOD TOP
(2) TO SECURE MDF INSIDE SHOWCASE
(4) TO SECURE POWER SUPPLY
MOUNTING BRACKET

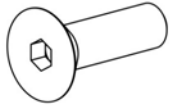


2X
(1) FOR LARGER SCREWS
(1) FOR SMALLER SCREWS

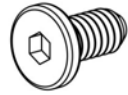
FRAME

CARTON A

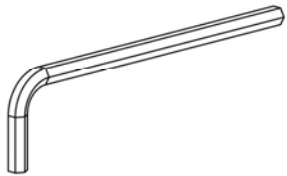
- FRAME PIECES
- TOP FRAME WITH LIGHTING
- HARDWARE
- CABLE RACEWAY



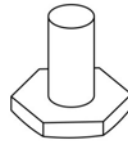
16X
1/4-20 X 0.875" L
CSK SOCKET HEAD SCREWS



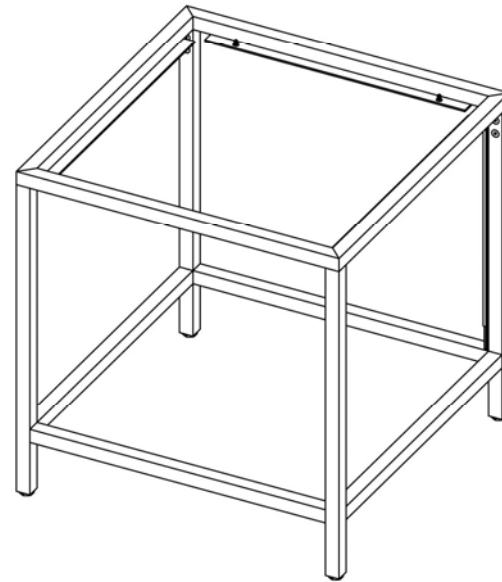
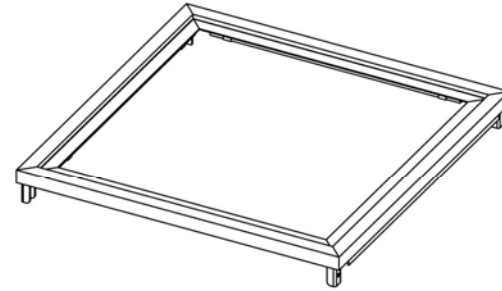
4X
1/4-20 X 0.5" L
FLAT HEAD HEXAGON SOCKET SCREWS
(TO SECURE TO SHOWCASE)



1X
ALLEN KEY

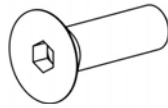


4X
3/8-16 X 1" L
METAL LEVELER

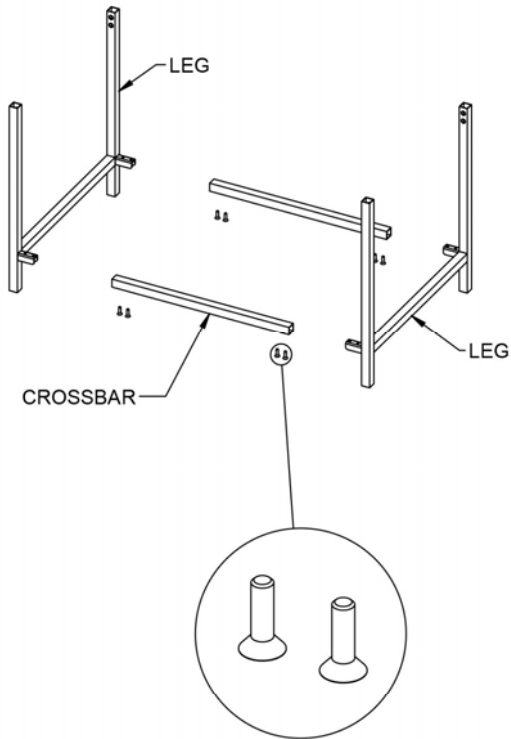


1

MOUNT THE CROSSBARS TO THE LEGS.

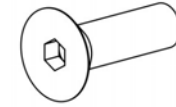


8X
1/4-20 X 0.875" L
CSK SOCKET HEAD SCREWS

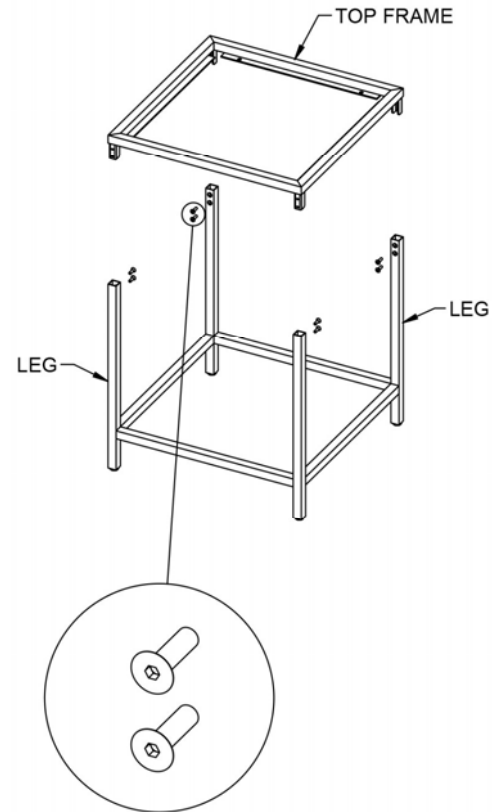


2

MOUNT THE TOP FRAME TO THE LEGS.



8X
1/4-20 X 0.875" L
CSK SOCKET HEAD SCREWS

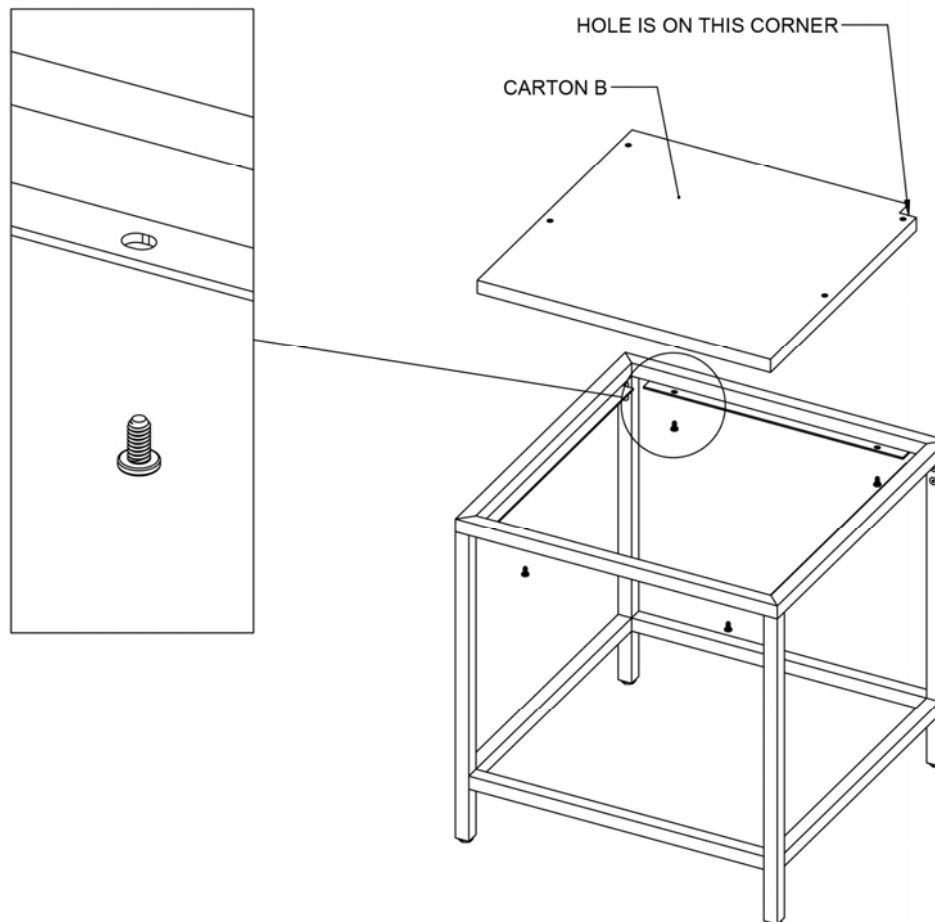


3

MOUNT WOOD TOP TO METAL FRAME.
SCREW FROM UNDERNEATH.



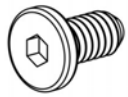
4X
1/4-20 X 0.5" L
FLAT HEAD HEXAGON SOCKET SCREWS



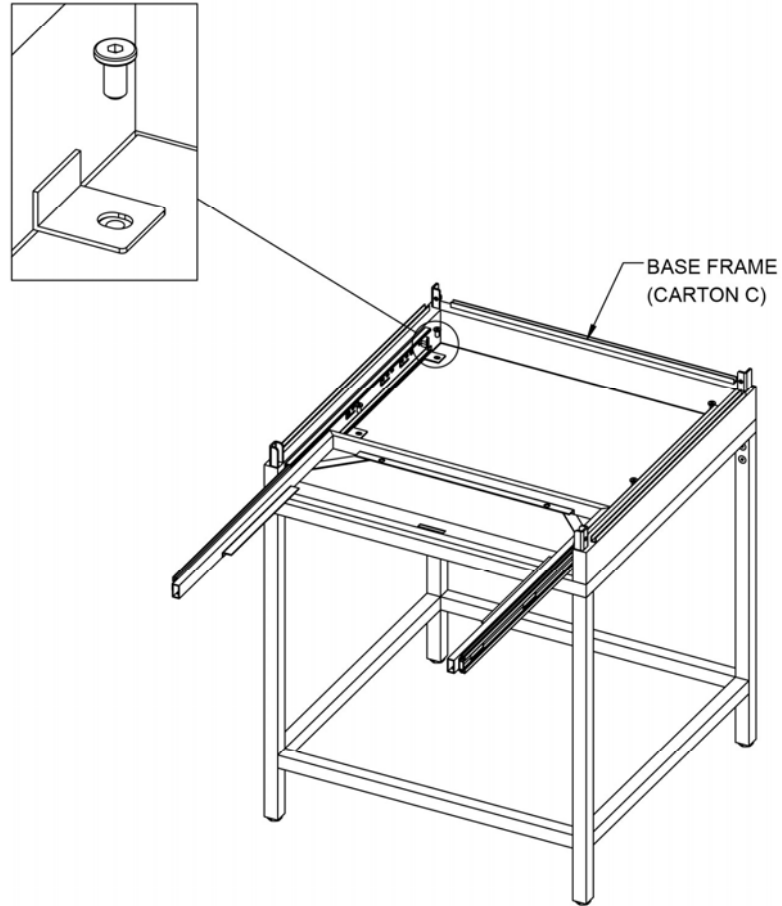
4

MOUNT BASE FRAME TO WOOD TOP.

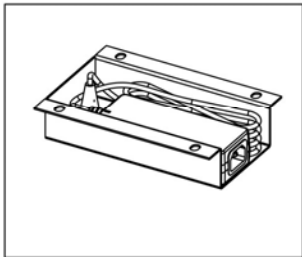
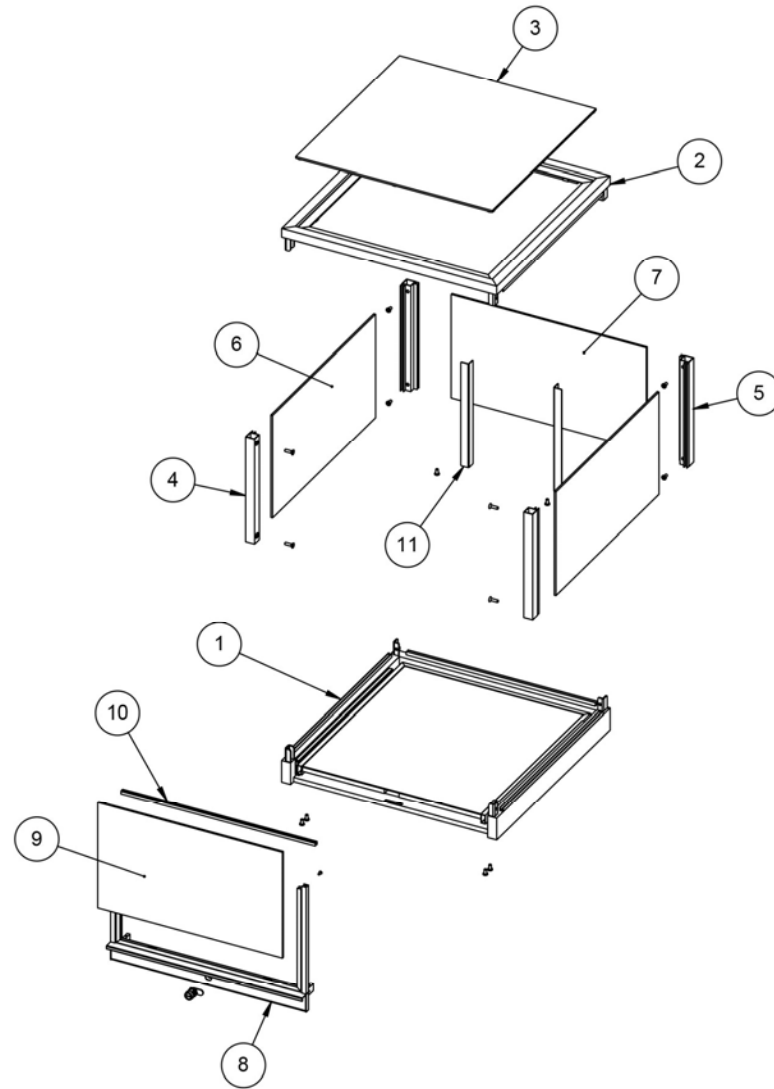
SLIDE THE DRAWER GLIDES TO THE FRONT TO ACCESS L CHANNELS ON THE BASE FRAME.



4X
1/4-20 X 0.5" L
FLAT HEAD HEXAGON SOCKET SCREWS



ITEM NO	DESCRIPTION	QTY.
1	BASE FRAME ASSEMBLY	1
2	TOP FRAME WITH LED's	1
3	TOP GLASS PANEL	1
4	FRONT UPRIGHT	2
5	REAR UPRIGHT	2
6	SIDE GLASS PANEL	2
7	REAR GLASS PANEL	1
8	FRONT FRAME	1
9	FRONT GLASS PANEL	1
10	TOP CHANNEL	1
11	ELECTRICAL COVER	2



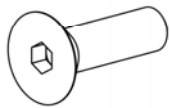
POWER SUPPLY MOUNTING BRACKET

5

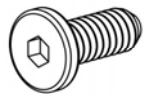
MOUNT FRONT UPRIGHTS TO BASE FRAME.

MOUNT REAR UPRIGHTS TO BASE FRAME.

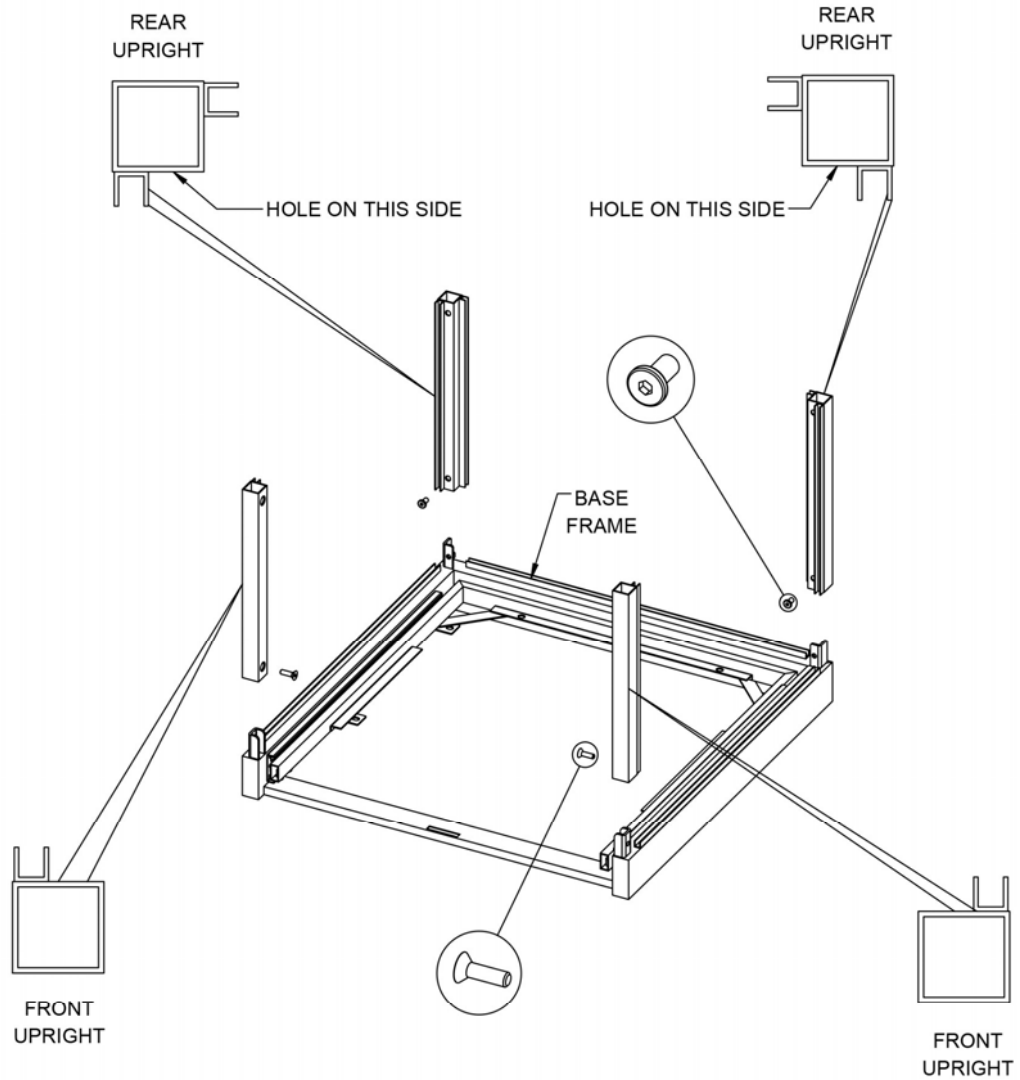
MAKE SURE REAR UPRIGHTS FACE CORRECT DIRECTION. THE U CHANNELS WILL FACE EACH OTHER. ON THE REAR UPRIGHTS, THE HOLES WILL FACE THE FRONT.



2X
1/4-20 X 0.875" L
SOCKET HEAD FLAT HEAD SCREWS
(TO SECURE FRONT UPRIGHTS)



2X
1/4-20 X 0.5" L
FLAT HEAD HEXAGON SOCKET SCREWS
(TO SECURE REAR UPRIGHTS)

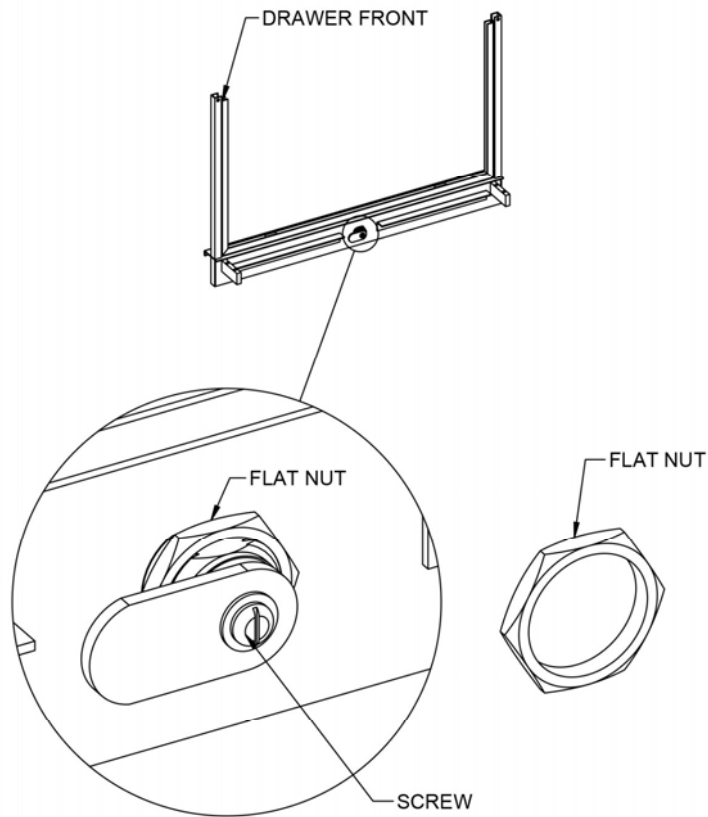


6A

ON THE DRAWER FRONT, CHECK THAT THE FLAT NUT (ON LOCK) IS TIGHT.

IF FLAT NUT IS LOOSE, TIGHTEN WITH A WRENCH.

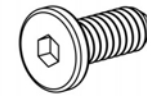
IF SCREW IS LOOSE, TIGHTEN WITH SCREWDRIVER.



6B

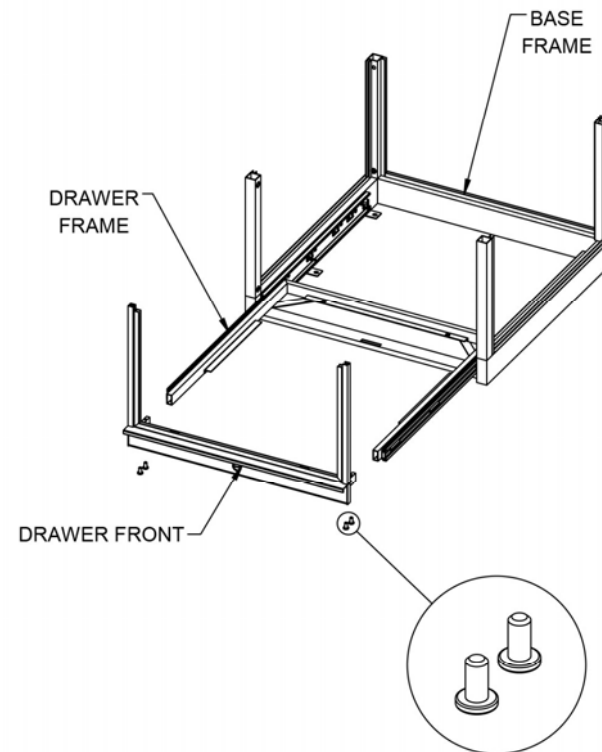
SLIDE DRAWER FRAME ONTO DRAWER GLIDES (ON BASE FRAME).

MOUNT DRAWER FRONT TO DRAWER FRAME.



4X

1/4-20 X 0.5" L
FLAT HEAD HEXAGON SOCKET SCREWS
(TO SECURE FRONT FRAME)

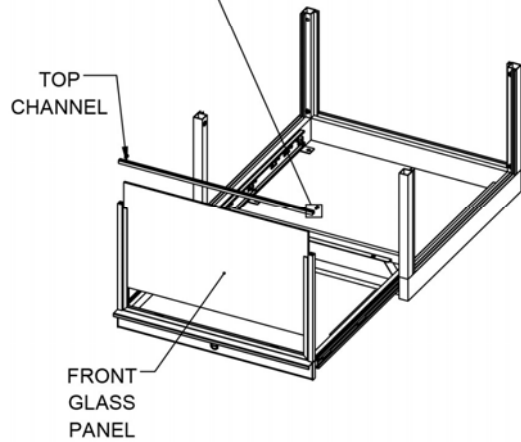
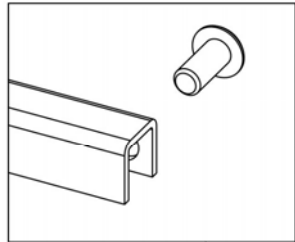


7

SLIDE FRONT GLASS PANEL INTO CHANNELS, AND MOUNT TOP CHANNEL.



2X
#8-32 X 0.315" L
SOCKET BUTTON HEAD SCREWS

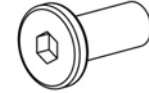


8

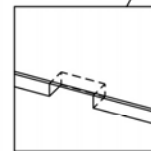
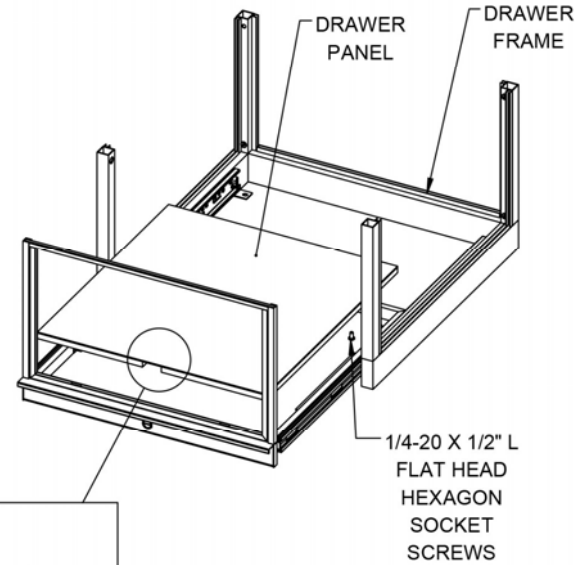
PLACE DRAWER PANEL ONTO DRAWER FRAME, AND SCREW IT INTO PLACE USING (2) 1/4-20 X 1/2" L FLAT HEAD HEXAGON SOCKET SCREWS.

MAKE SURE THE NOTCH IS IN THE FRONT AND FACING TOWARDS THE BOTTOM.

REMOVE THE DRAWER IF NECESSARY IN ORDER TO SCREW IN FROM BELOW



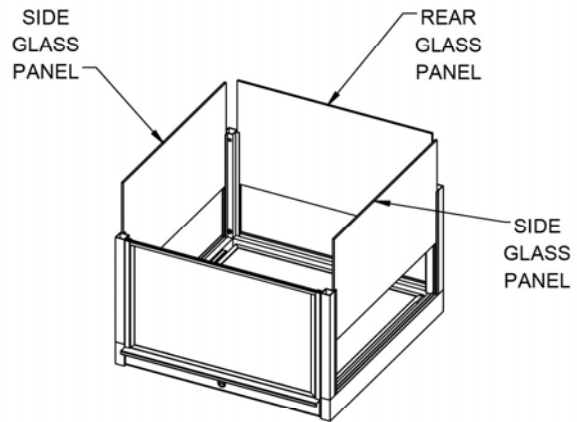
2X
1/4-20 X 0.5" L
FLAT HEAD HEXAGON
SOCKET SCREWS



NOTCH DETAIL

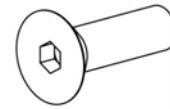
9

SLIDE REAR AND SIDE GLASS PANELS INTO CHANNELS.

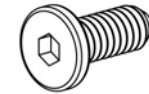


10

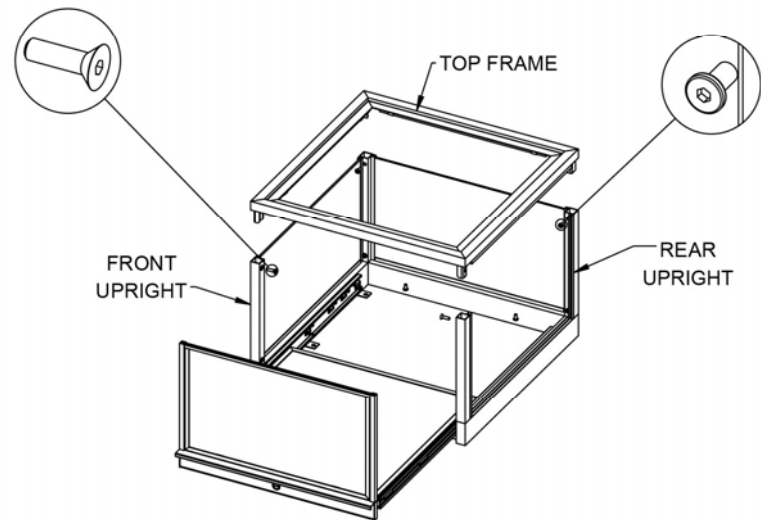
MOUNT TOP FRAME ONTO UPRIGHTS.



2X
1/4-20 X 0.875" L
SOCKET HEAD FLAT HEAD SCREWS
(TO SECURE FRONT UPRIGHTS)



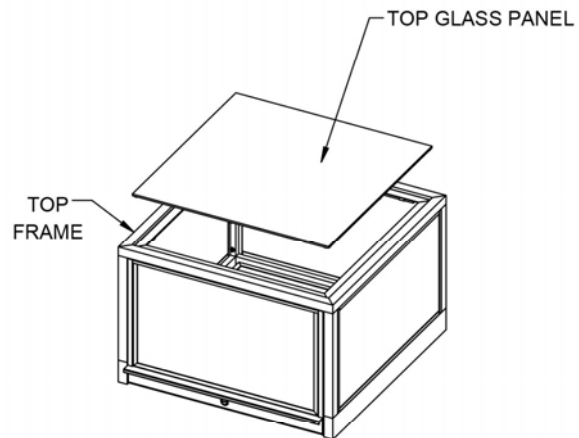
2X
1/4-20 X 0.5" L
FLAT HEAD HEXAGON SOCKET SCREWS
(TO SECURE REAR UPRIGHTS)



11

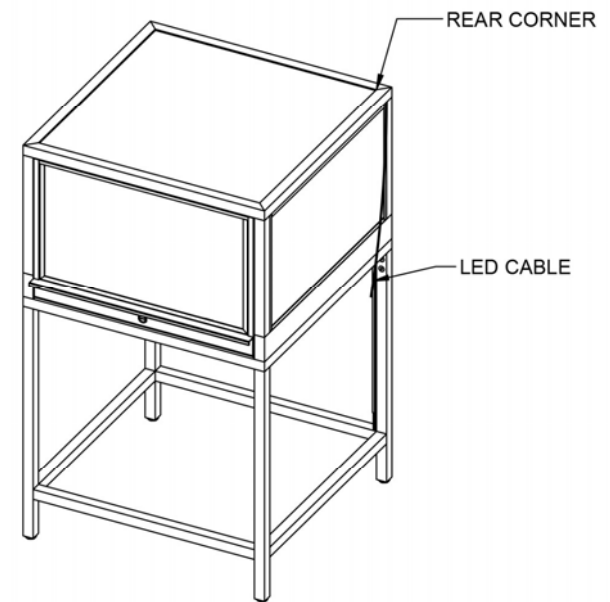
PEEL OFF CIRCULAR STICKERS
ON TOP GLASS PANEL.

PLACE TOP GLASS PANEL ONTO
TOP FRAME.



12

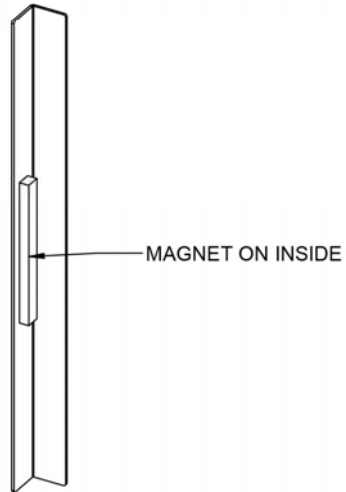
ON REAR CORNER, THERE IS A LOOSE
LED CABLE. GUIDE IT THROUGH THE HOLE
ON TOP OF THE WOOD TOP UNTIL THE
LED CABLE COMES OUT ON THE BOTTOM.



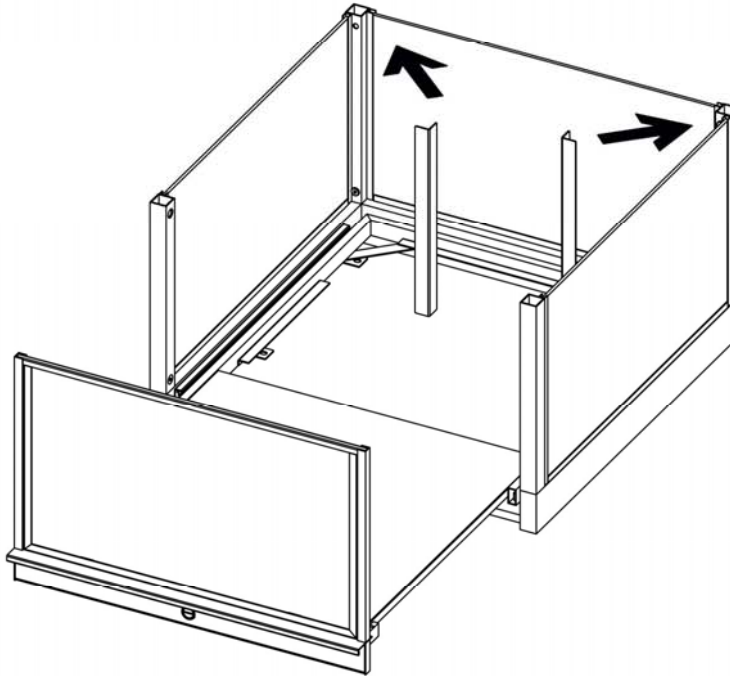
13

PULL OUT THE DRAWER.

CAREFULLY PLACE ELECTRICAL COVERS
ONTO THE REAR UPRIGHTS. THE MAGNET
WILL SNAP ONTO THE TUBING. IF IT
SNAPS TOO QUICKLY, THE MAGNET MAY
DAMAGE THE FINISH.



2X
ELECTRICAL COVER

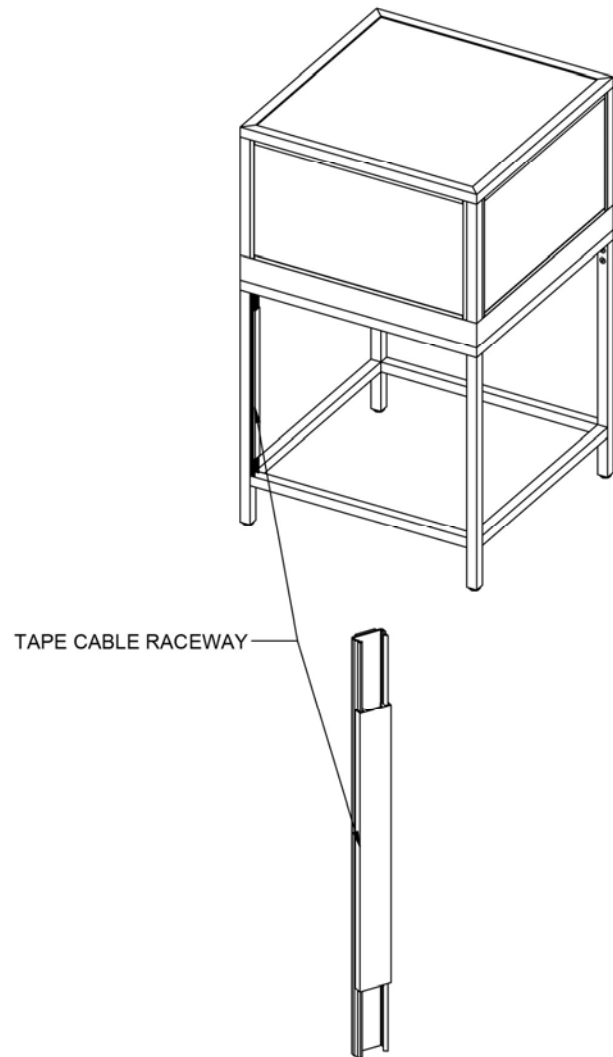


ELECTRICAL INSTALLATION INSTRUCTIONS

1

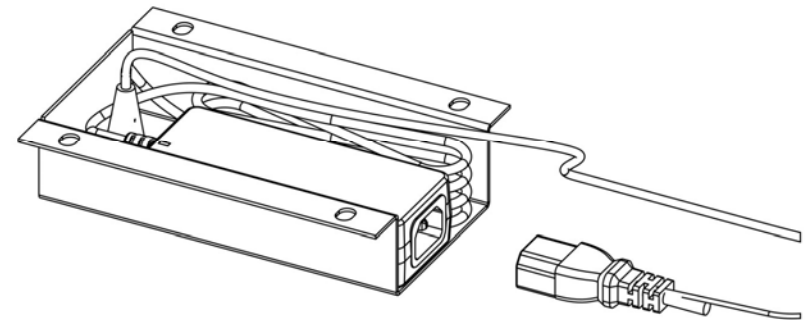
INSTALL CABLE RACEWAY ON LEG.

BACK VIEW



2

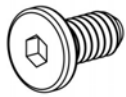
IF NOT ALREADY INSTALLED,
INSERT THE OUTLET PLUG INTO
THE POWER ADAPTER.



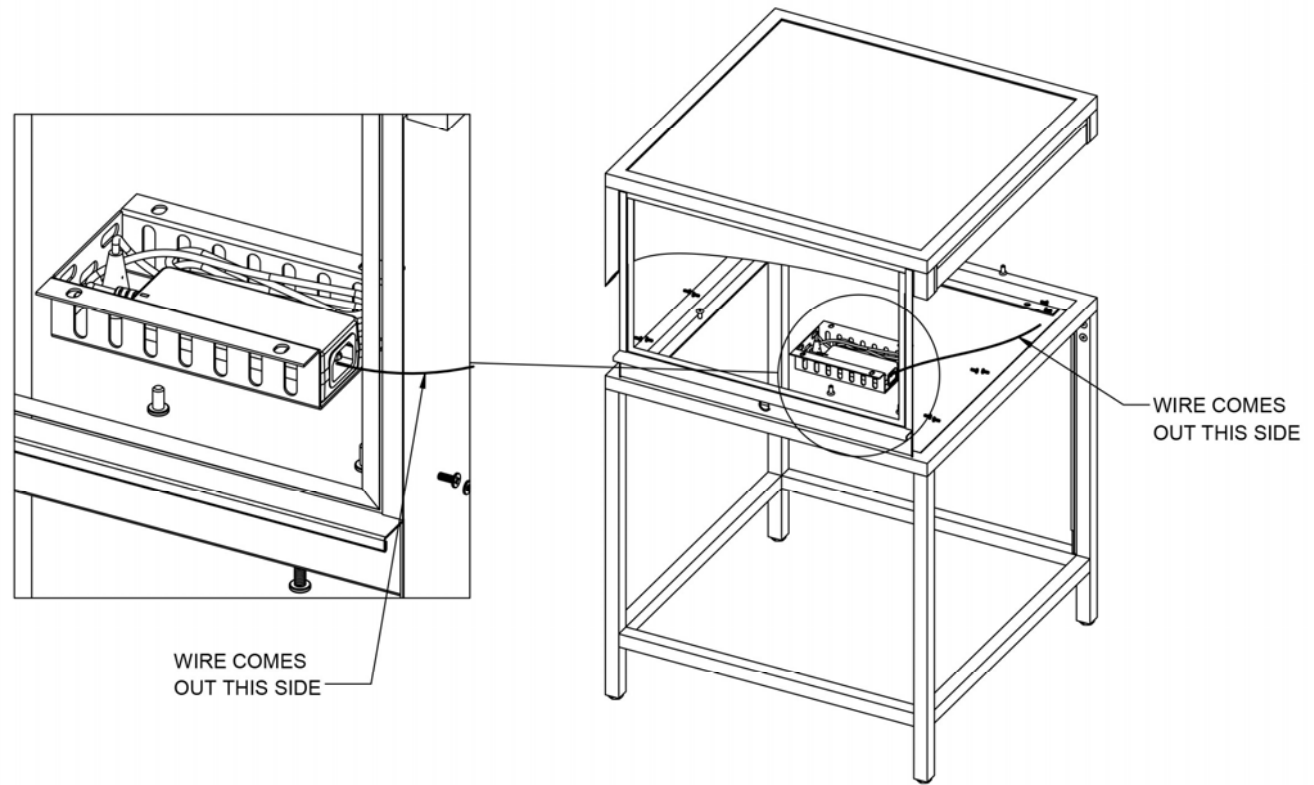
3

MOUNT BOTTOM MOUNTING BRACKET.

ASSURE THAT THE MOUNTING BRACKET
FACES THE CORRECT DIRECTION. THE
WIRE SHOULD COME OUT ON THE RIGHT
SIDE.

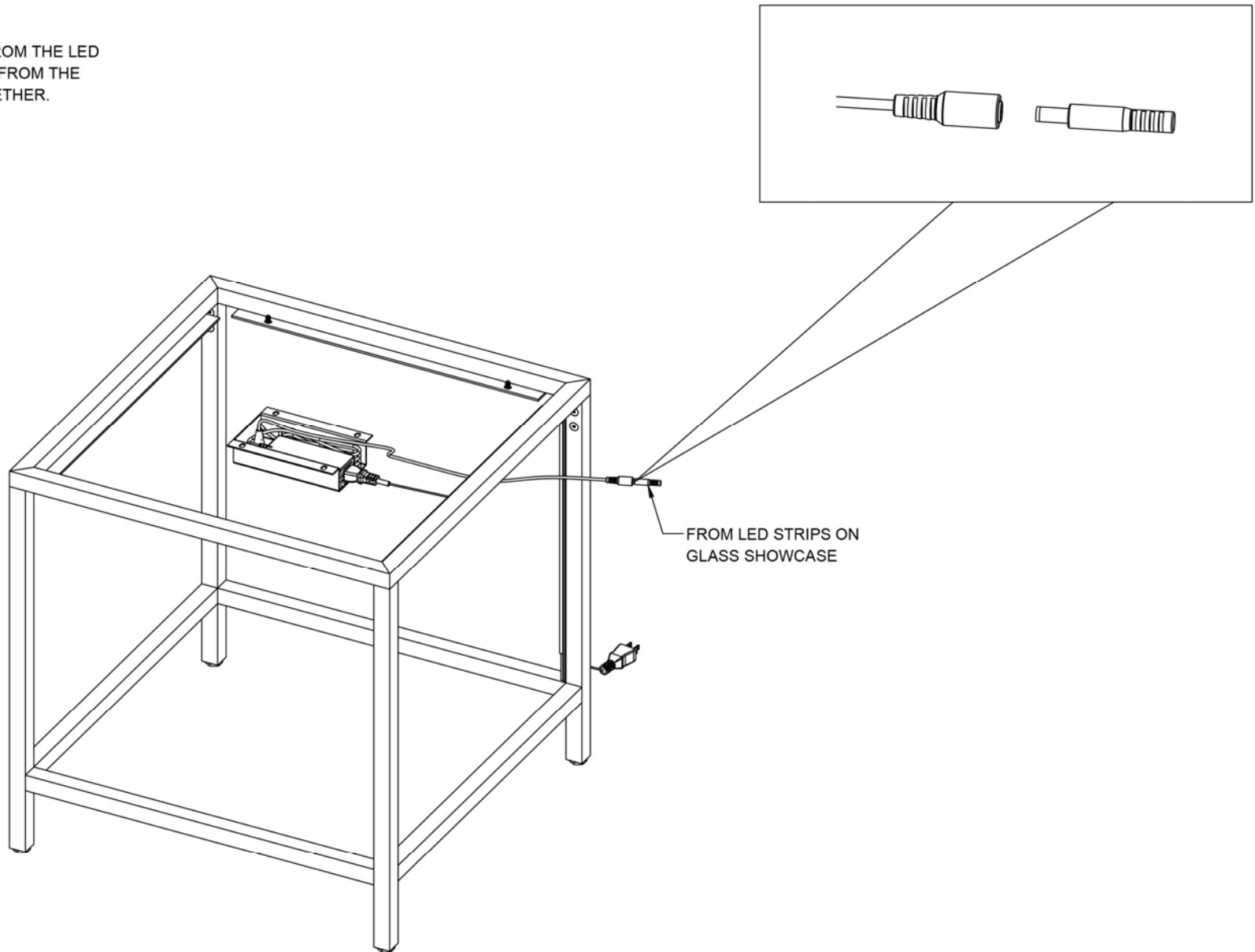


4X
1/4-20 X 0.5" L
FLAT HEAD HEXAGON SOCKET SCREWS



4

CONNECT THE PLUG FROM THE LED STRIPS AND THE PLUG FROM THE MOUNTING BRICK TOGETHER.



5

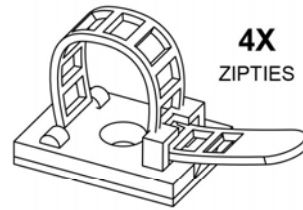
PUT THE POWER PLUG CABLE INTO THE WIRE MANAGEMENT EXTRUSION IN THE LEG.

6

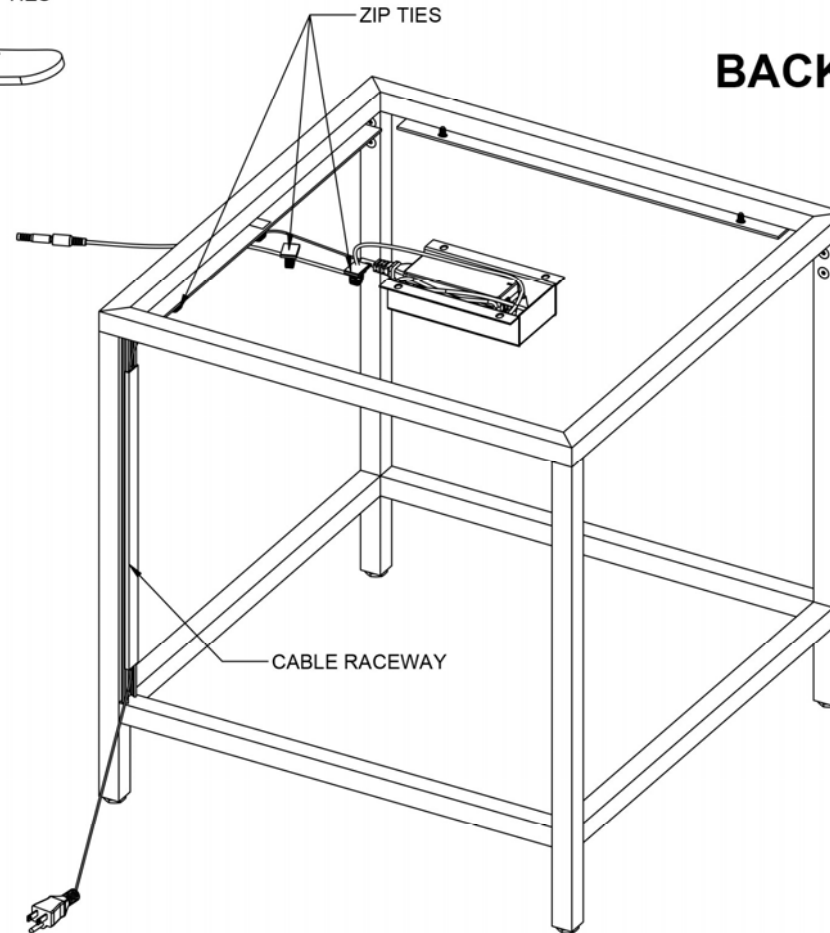
SECURE WIRES FROM UNDERSIDE WITH INCLUDED ZIP-TIES. ZIP TIE LOCATIONS SHOWN FOR REFERENCE ONLY. INSTALLER TO DETERMINE BEST PLACEMENT.

7

TOGGLE THE SWITCH ON THE MOUNTING BRACKET TO TURN ON THE LIGHTS ON THE GLASS SHOWCASE.



4X
ZIPTIES



TROUBLE SHOOTING INSTRUCTIONS

1

CHECK CONNECTION BETWEEN LED LIGHTS AND MOUNTING BRACKET (CONNECTION FROM STEP 1.)

TRY TURNING ON LIGHTS AGAIN. IF LIGHTS DO NOT TURN ON, GO TO NEXT STEP.

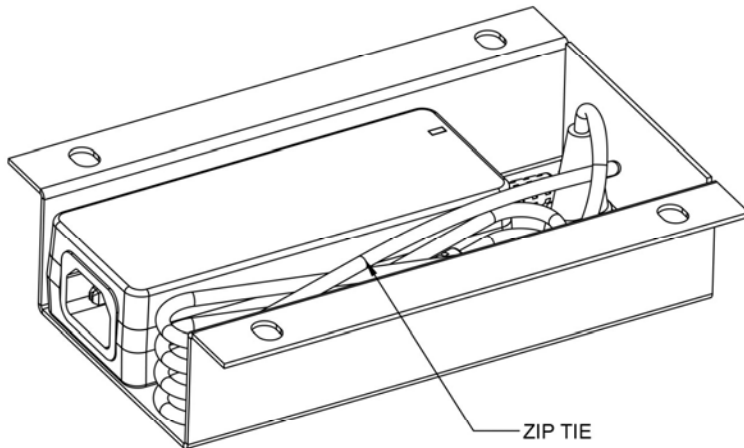
2

CHECK CONNECTION BETWEEN MOUNTING BRICK AND POWER CORD (CONNECTION FROM STEP 2.)

TRY TURNING ON LIGHTS AGAIN. IF LIGHTS DO NOT TURN ON, GO TO NEXT STEP.

3

UNMOUNT MOUNTING BRACKET.
CUT ZIP TIE HOLDING BUNDLE OF WIRES TOGETHER.



4

UNPLUG AND RECONNECT THE POWER ADAPTER TO THE SWITCH.

TRY TURNING ON LIGHTS AGAIN. IF LIGHTS DO NOT TURN ON, PLEASE CONTACT SUPPLIER FOR REPLACEMENT PARTS.

