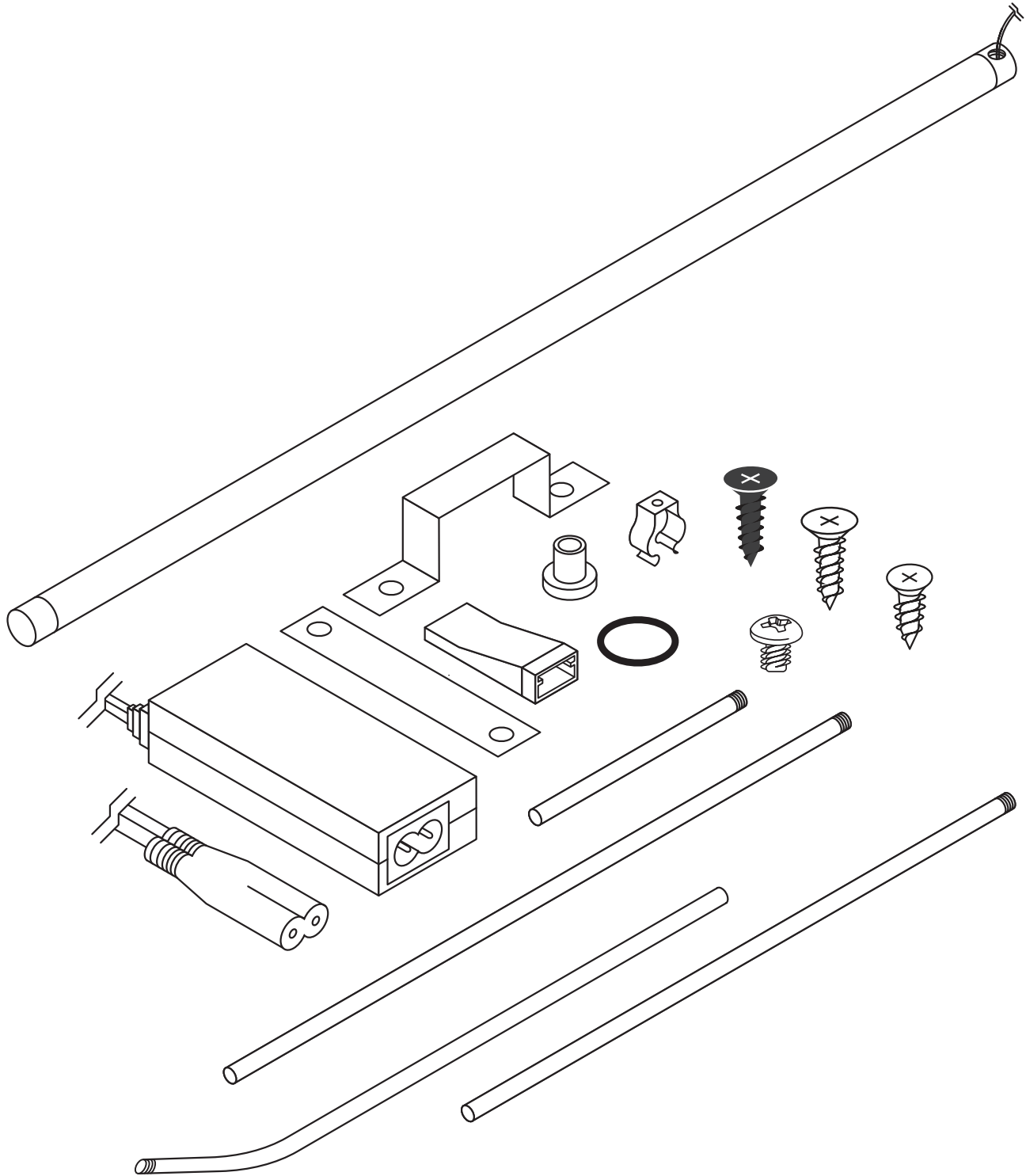


ASSEMBLY INSTRUCTIONS MANUAL

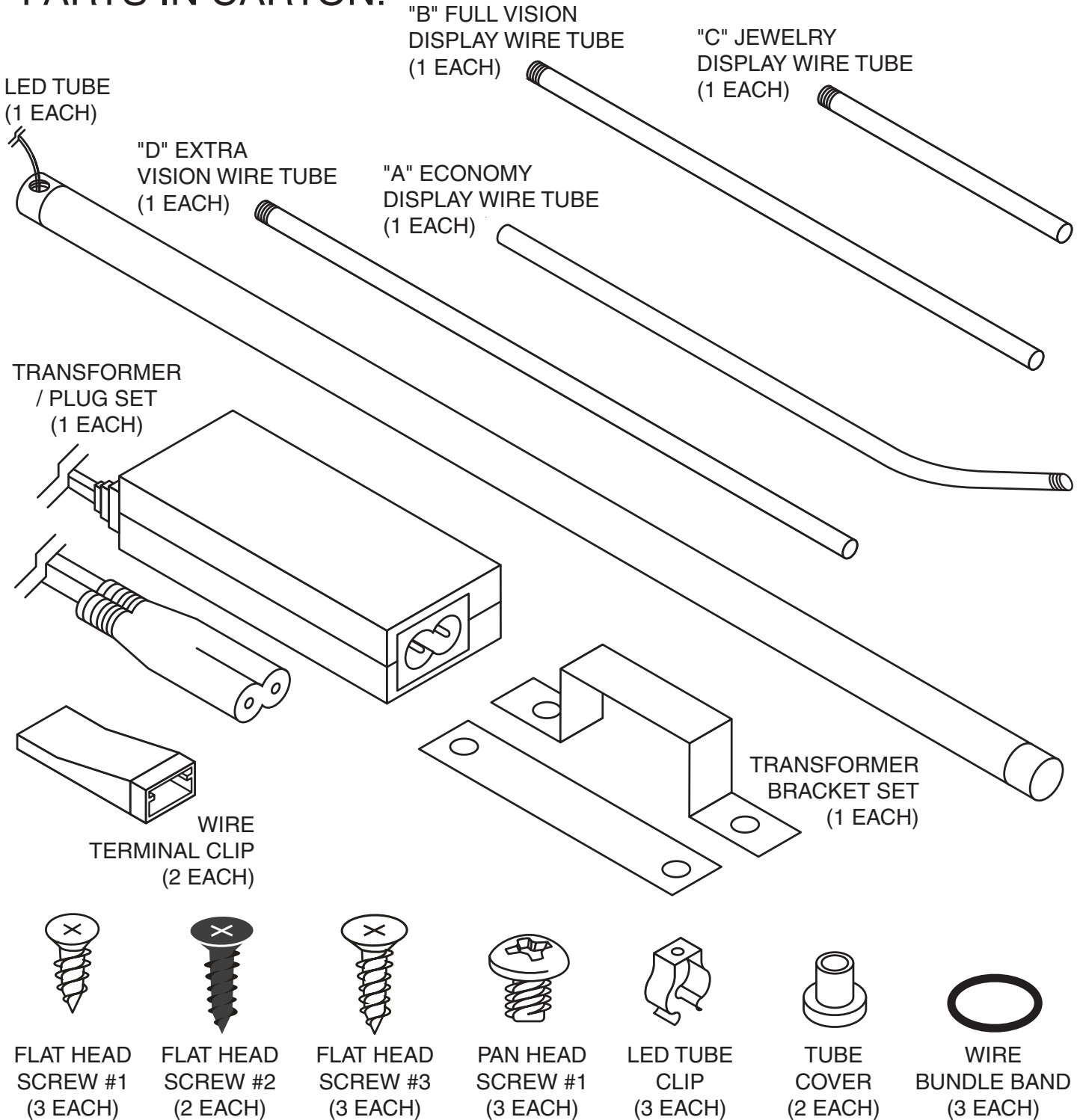
65847 65848 - LED LIGHT KIT FOR 48" & 70"
ECONOMY FULL VISION SHOWCASE



ASSEMBLY INSTRUCTIONS MANUAL

65847 65848 - LED LIGHT KIT FOR 48" & 70" ECONOMY FULL VISION SHOWCASE

PARTS IN CARTON:



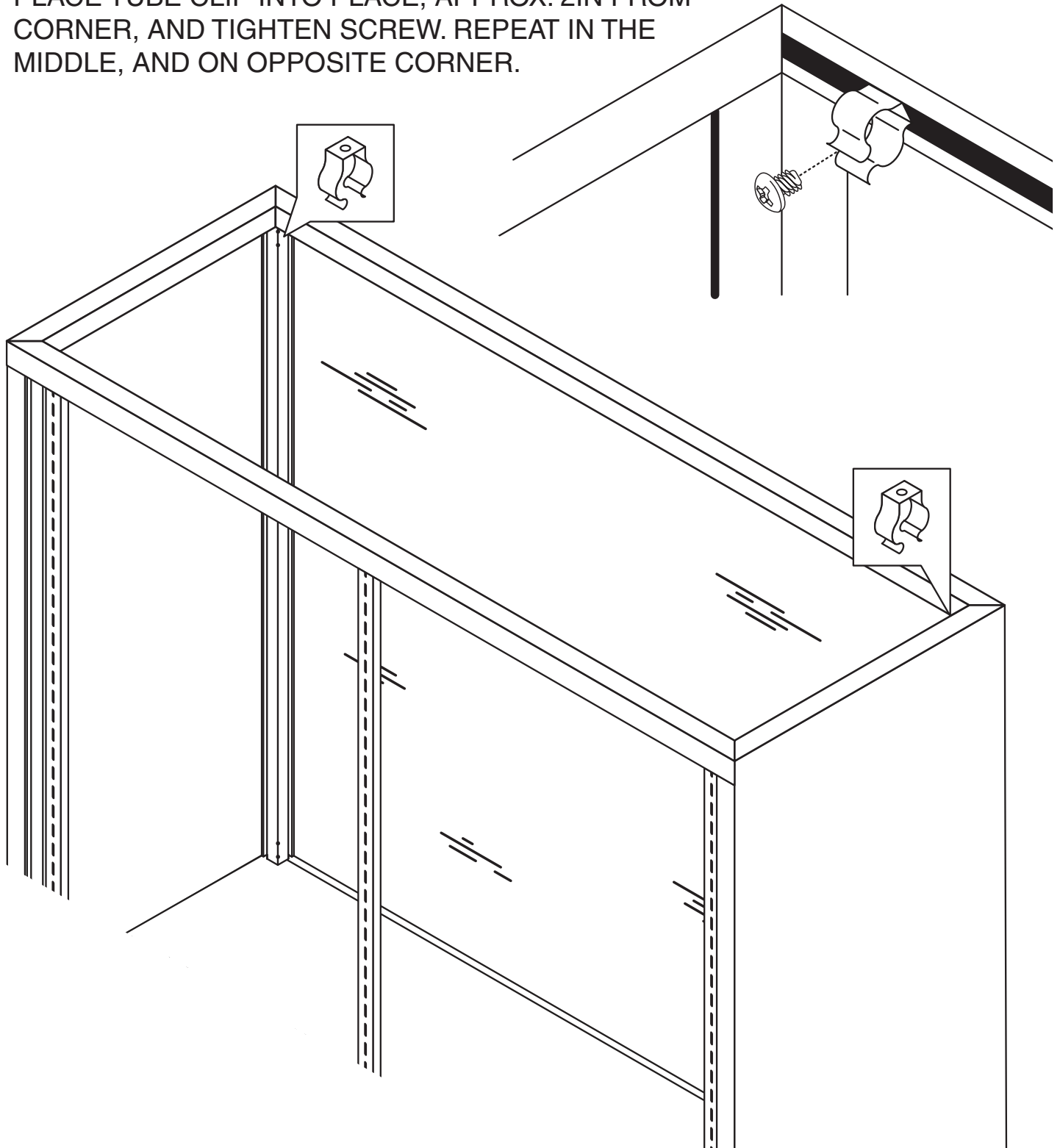
YOU WILL NEED TO SUPPLY YOUR OWN DRILL OR SCREWDRIVER
FOR INSTALLATION.

ASSEMBLY INSTRUCTIONS MANUAL

65847 65848 - LED LIGHT KIT FOR 48" & 70" ECONOMY FULL VISION SHOWCASE

STEP 1

PLACE TUBE CLIP INTO PLACE, APPROX. 2IN FROM CORNER, AND TIGHTEN SCREW. REPEAT IN THE MIDDLE, AND ON OPPOSITE CORNER.

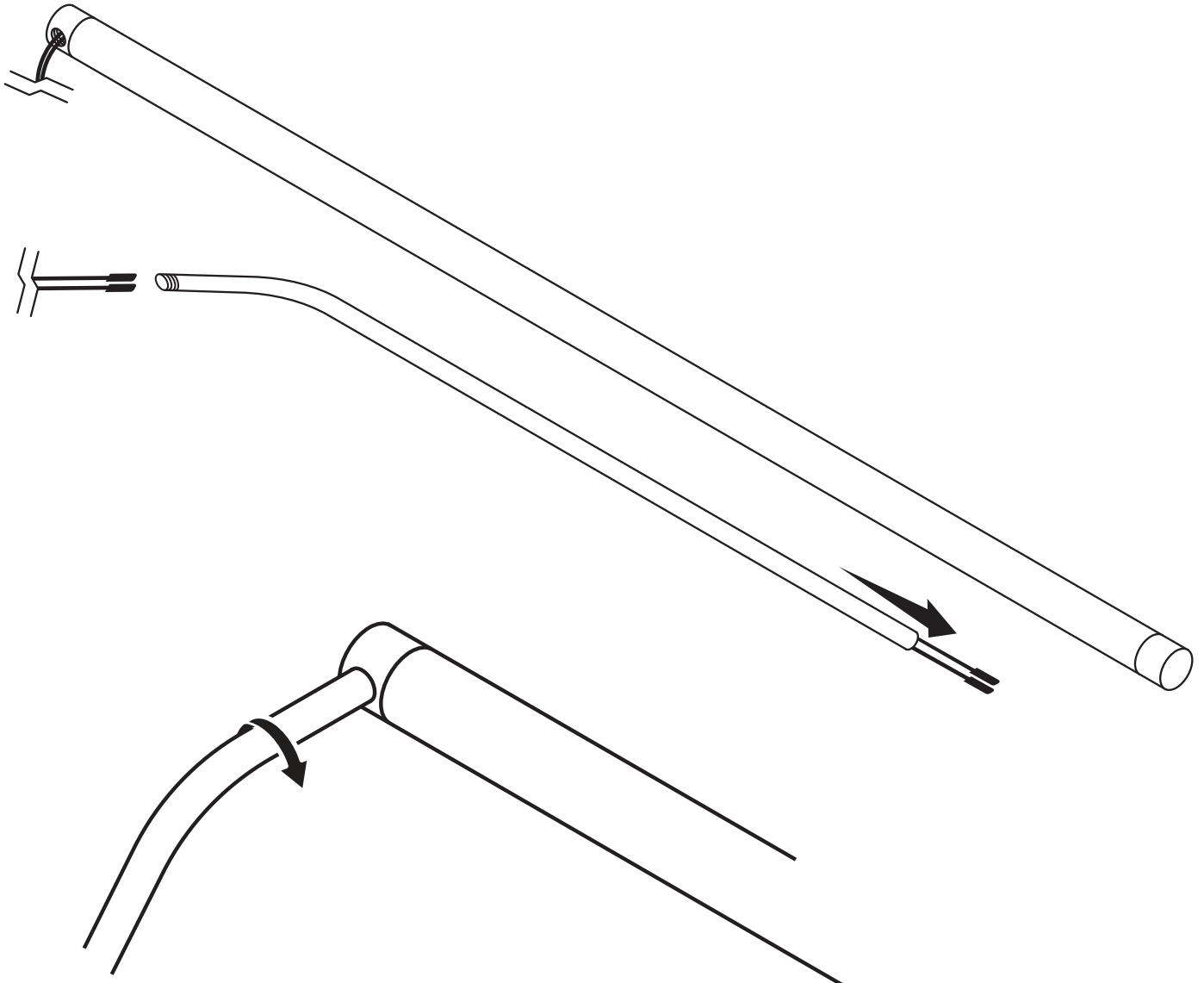


ASSEMBLY INSTRUCTIONS MANUAL

65847 65848 - LED LIGHT KIT FOR 48" & 70" ECONOMY FULL VISION SHOWCASE

STEP 2

TAKE THE WIRES FROM THE LED BAR AND THREAD THEM THROUGH THE "A" ECONOMY VISION WIRE TUBE, **STARTING FROM THE THREADED END OF THE TUBE.**



STEP 3

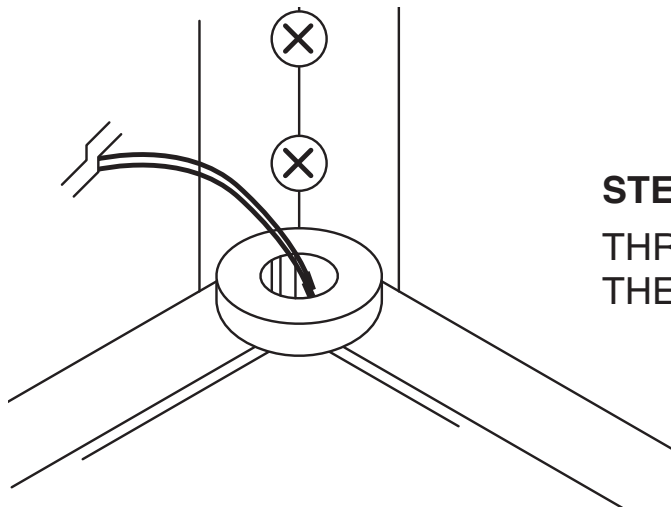
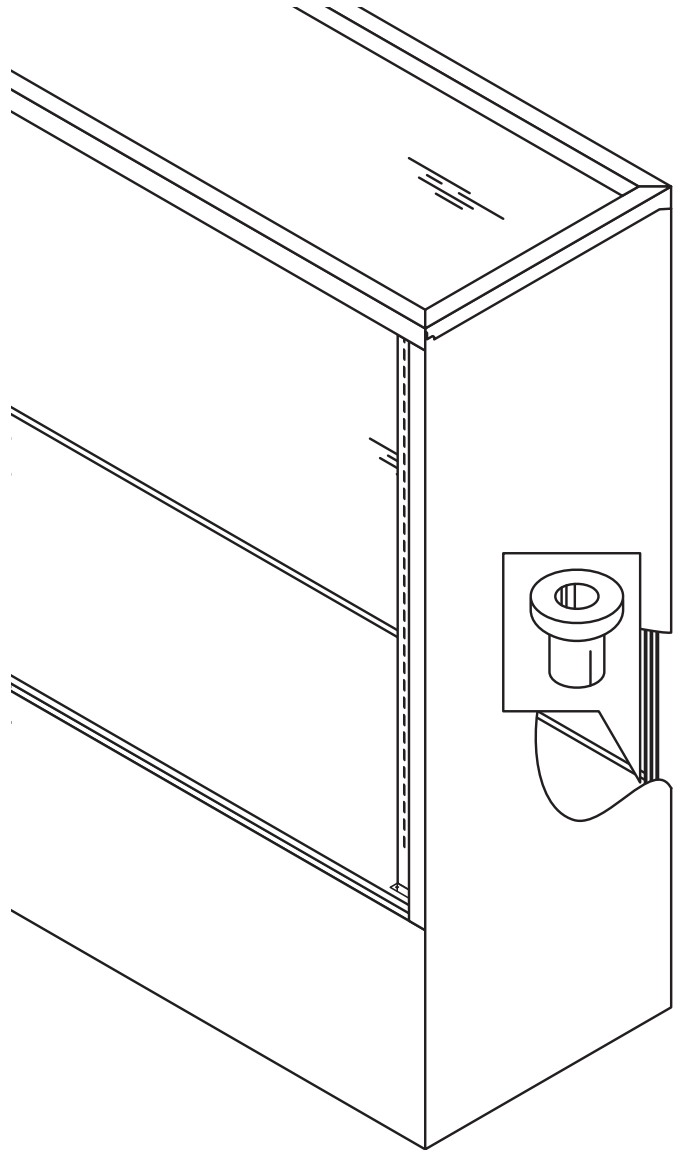
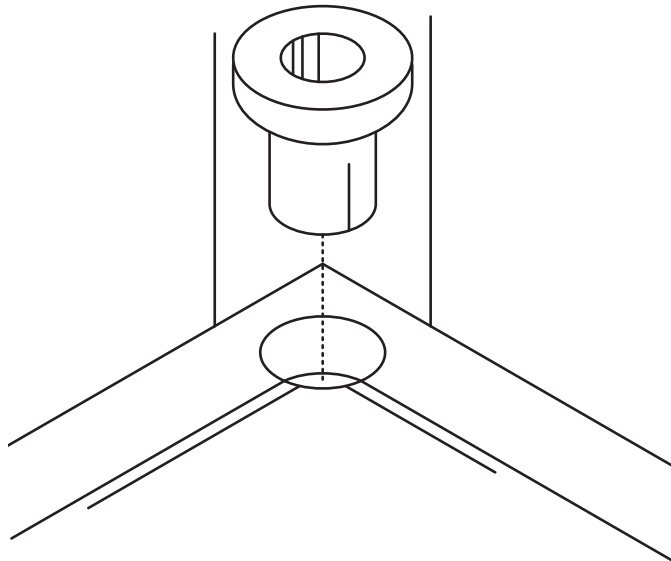
NEXT, SCREW IN THREADED END OF THE "A" TUBE INTO THE LED TUBE.

ASSEMBLY INSTRUCTIONS MANUAL

65847 65848 - LED LIGHT KIT FOR 48" & 70" ECONOMY FULL VISION SHOWCASE

STEP 4

PLACE THE TUBE COVER INTO THE PRE-DRILLED HOLE, LOCATED IN THE FRONT CORNER OF THE DISPLAY.



STEP 5

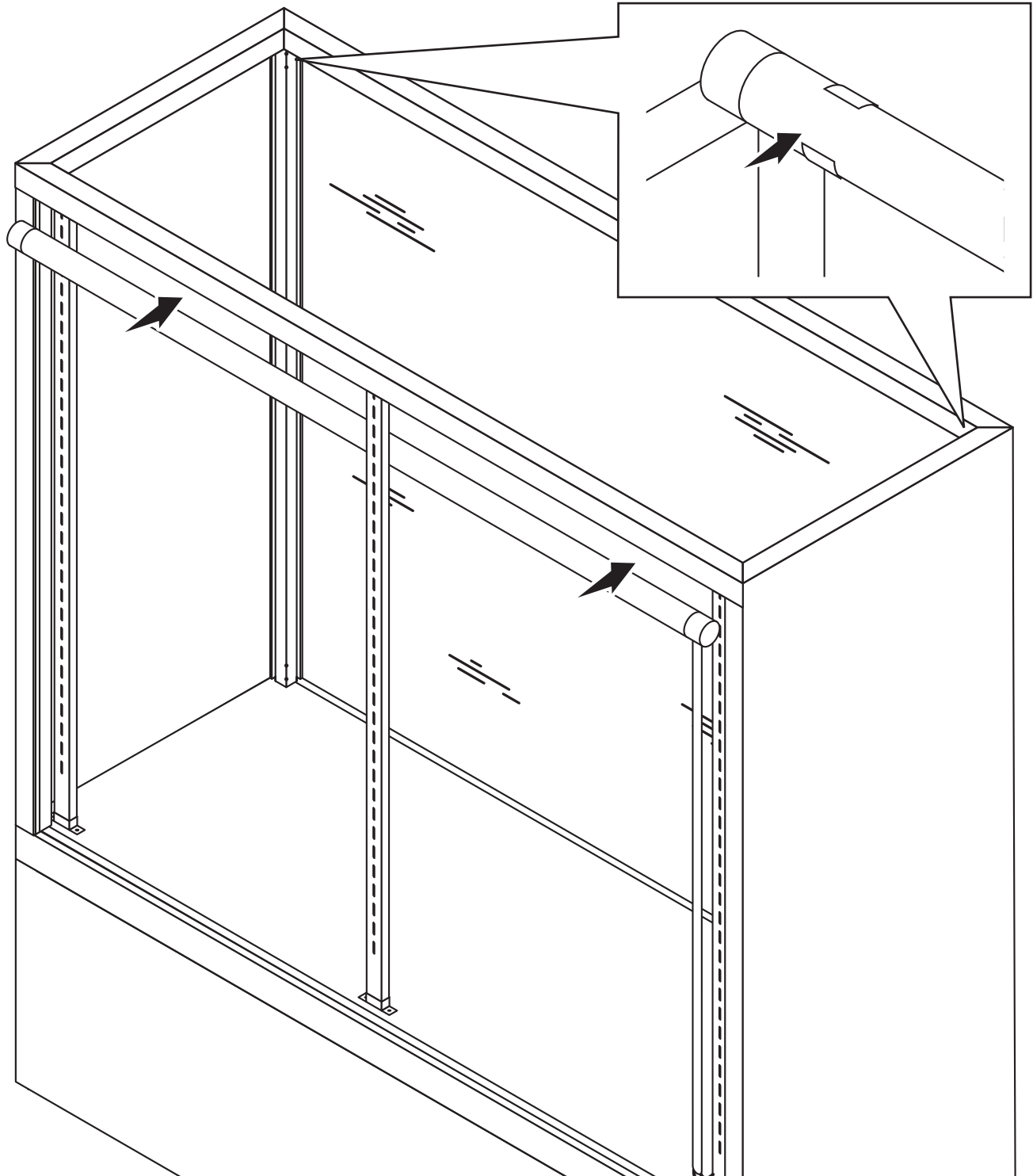
THREAD THE EXCESS LED WIRE THROUGH THE TUBE COVER.

ASSEMBLY INSTRUCTIONS MANUAL

65847 65848 - LED LIGHT KIT FOR 48" & 70"
ECONOMY FULL VISION SHOWCASE

STEP 6

CAREFULLY SLIDE IN THE LED TUBE ASSEMBLY INTO THE DISPLAY. ALIGN WIRE TUBE WITH TUBE COVER, SLIDE IN AND CLIP LED TUBE INTO PLACE.

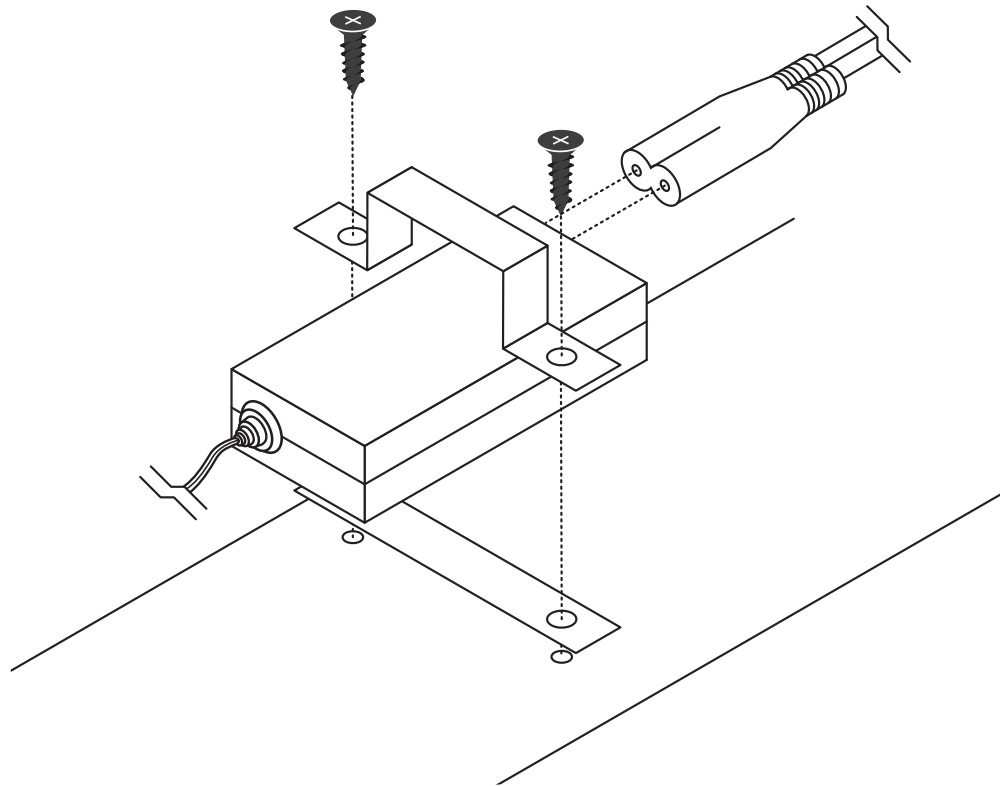


ASSEMBLY INSTRUCTIONS MANUAL

65847 65848 - LED LIGHT KIT FOR 48" & 70" ECONOMY FULL VISION SHOWCASE

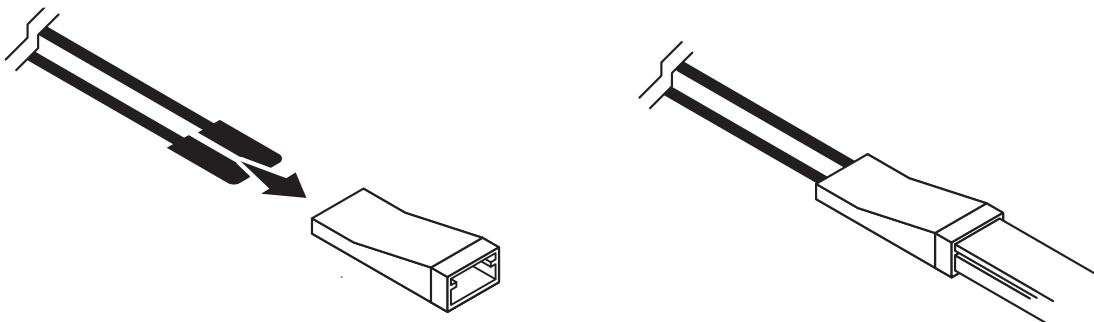
STEP 7

TO COMPLETE THIS INSTALLATION, THE DISPLAY WILL NEED TO BE ACCESSED FROM THE BOTTOM. PLACE THE TRANSFORMER BRACKET OVER THE TRANSFORMER AND SCREW (#2 SCREWS) INTO PLACE WITH THE PRE-DRILLED HOLES . **DO NOT OVER TIGHTEN.**



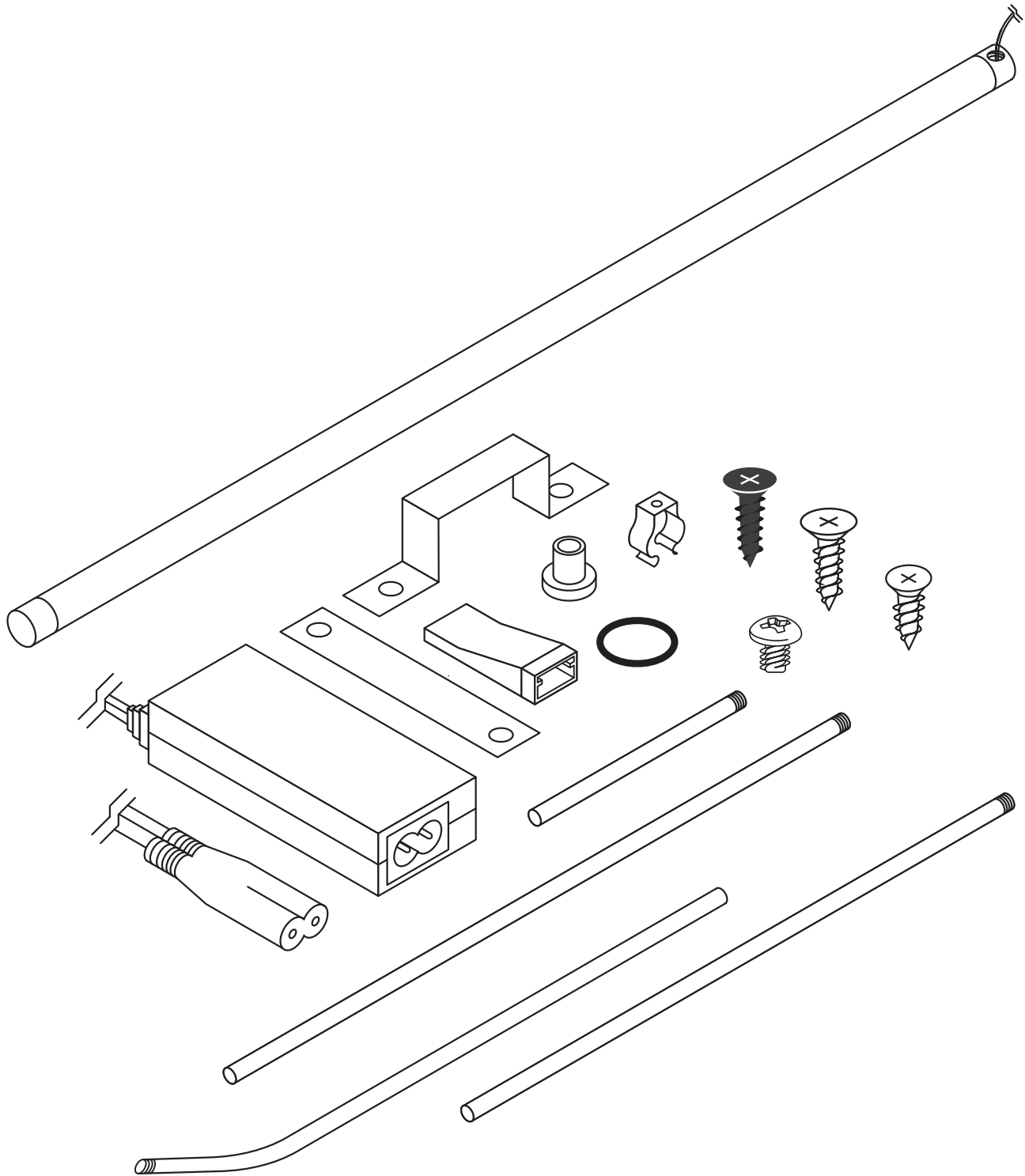
STEP 8

LASTLY, SLIDE THE BARE WIRES INTO THE WIRE CLIPS, THEN CONNECT. **(NOTE: THE WIRES CAN BE ON EITHER SIDE)** INSTALLATION IS COMPLETE.



ASSEMBLY INSTRUCTIONS MANUAL

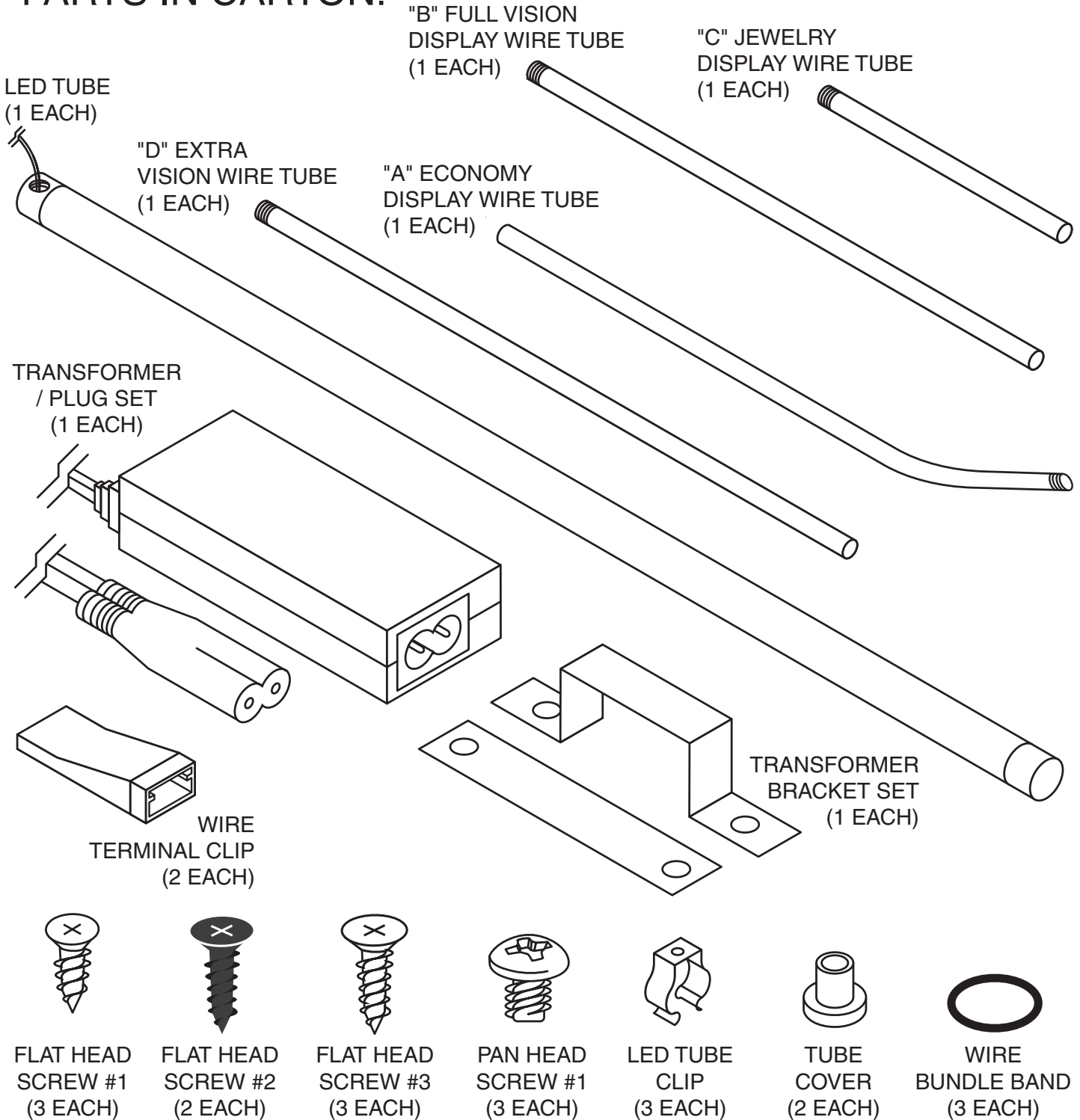
65847 65848 - LED LIGHT KIT FOR 48" & 70"
METAL FRAMED FULL VISION SHOWCASE



ASSEMBLY INSTRUCTIONS MANUAL

65847 65848 - LED LIGHT KIT FOR 48" & 70" METAL FRAMED FULL VISION SHOWCASE

PARTS IN CARTON:



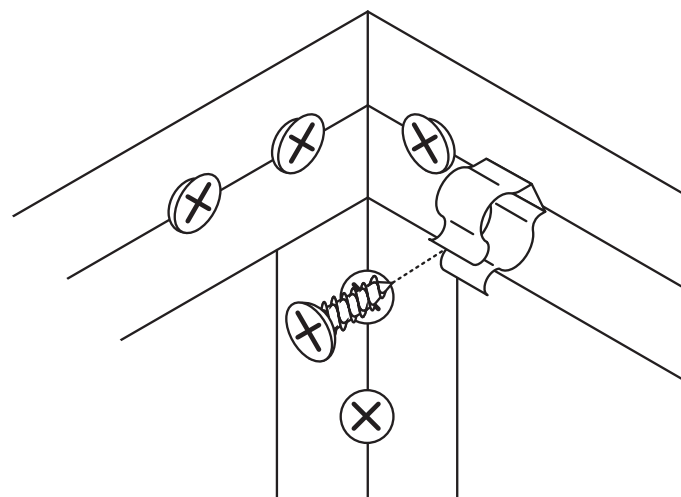
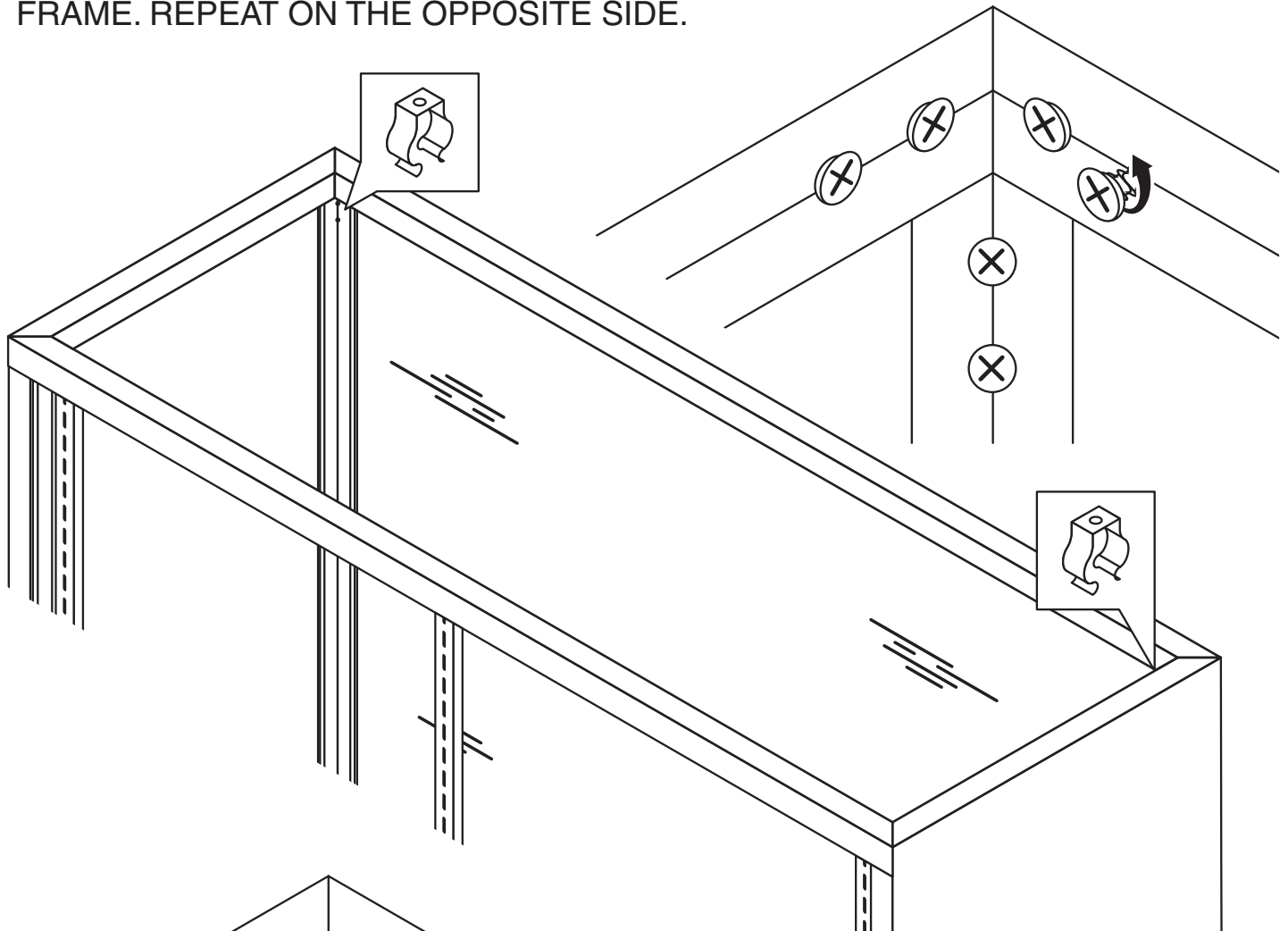
YOU WILL NEED TO SUPPLY YOUR OWN DRILL OR SCREWDRIVER
FOR INSTALLATION.

ASSEMBLY INSTRUCTIONS MANUAL

65847 65848 - LED LIGHT KIT FOR 48" & 70" METAL FRAMED FULL VISION SHOWCASE

STEP 1

REMOVE FRONT INNER MOST SCREW FROM THE FRAME. REPEAT ON THE OPPOSITE SIDE.



STEP 2

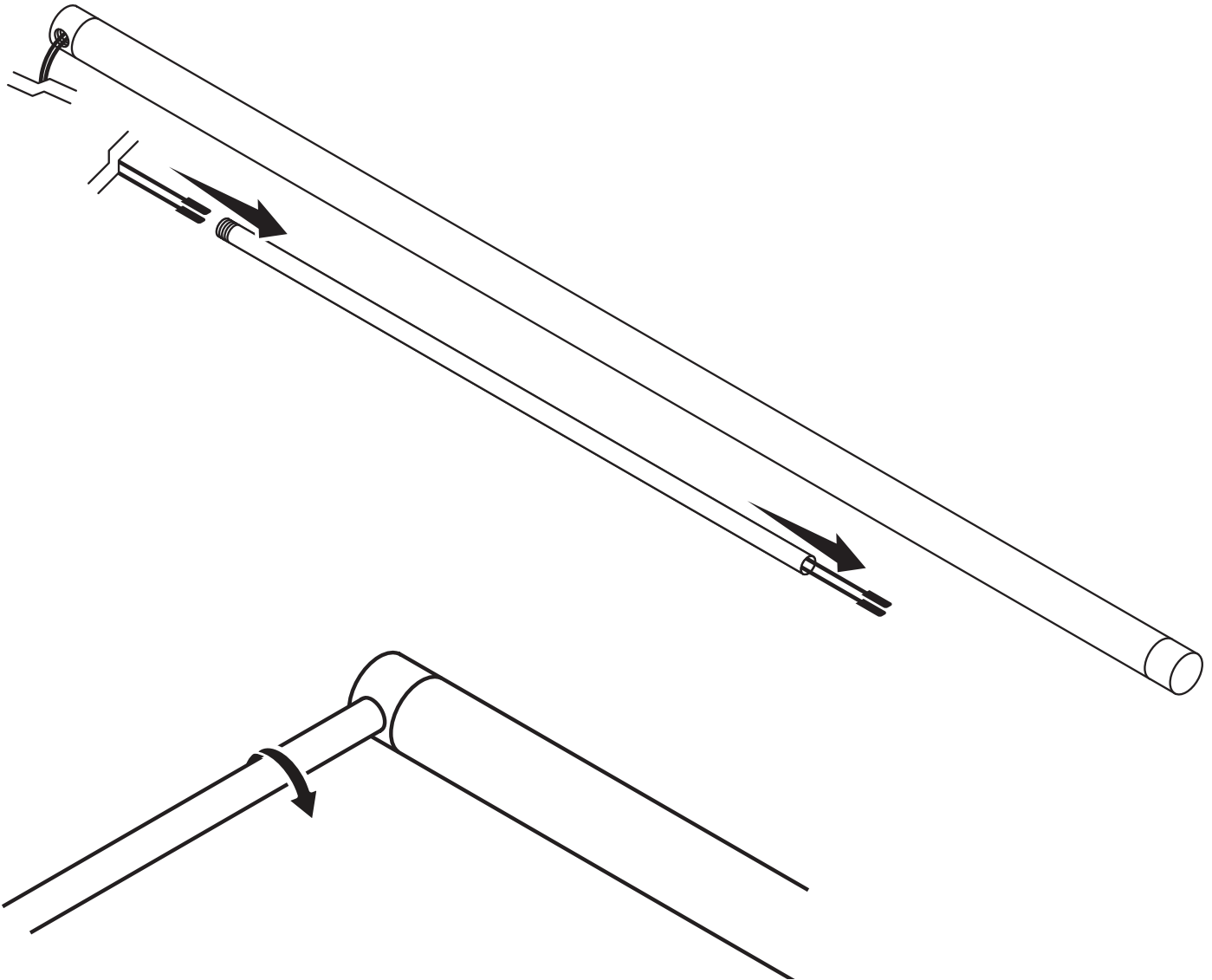
REPLACE (REMOVED) SCREWS WITH NEW FLAT HEAD SCREW #1. PLACE TUBE CLIP INTO PLACE AND TIGHTEN SCREW. REPEAT ON OPPOSITE SIDE

ASSEMBLY INSTRUCTIONS MANUAL

65847 65848 - LED LIGHT KIT FOR 48" & 70" METAL FRAMED FULL VISION SHOWCASE

STEP 3

TAKE THE WIRES FROM THE LED BAR AND THREAD THEM THROUGH THE "B" FULL VISION WIRE TUBE, **STARTING FROM THE THREADED END OF THE TUBE.**



STEP 4

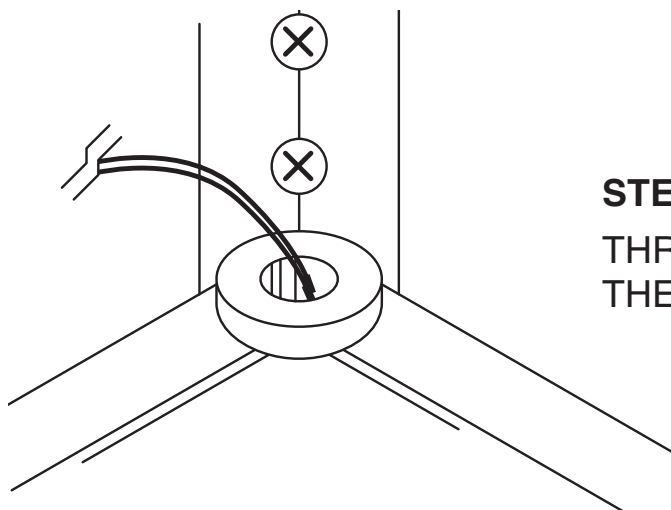
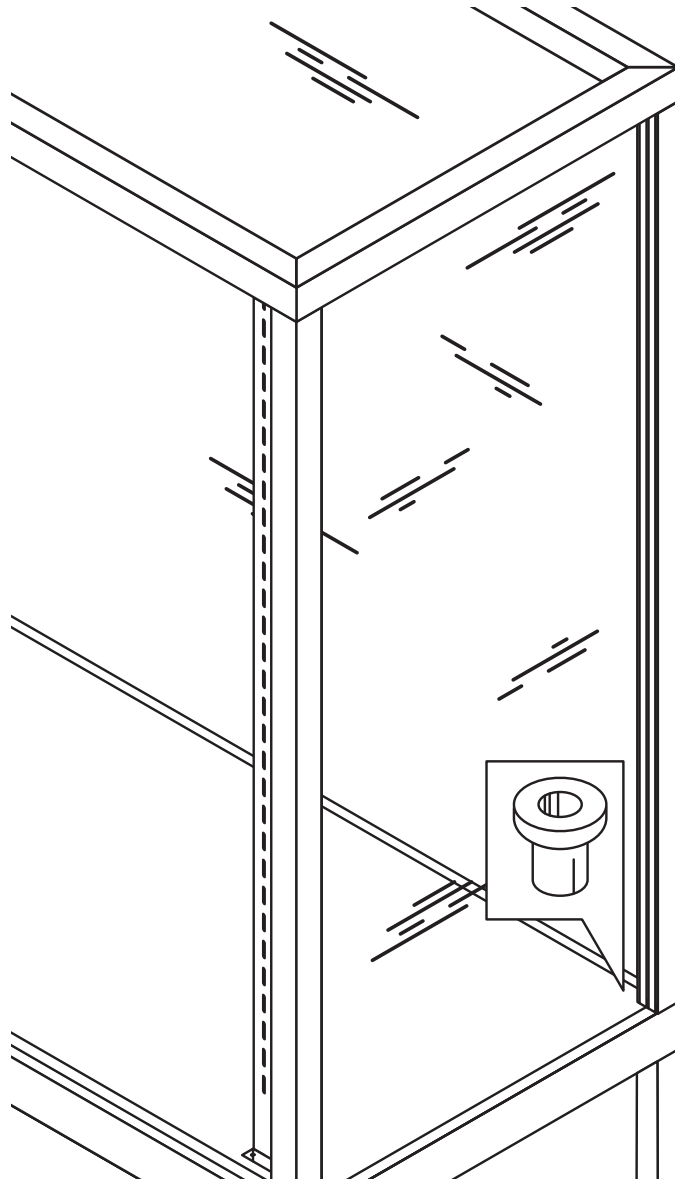
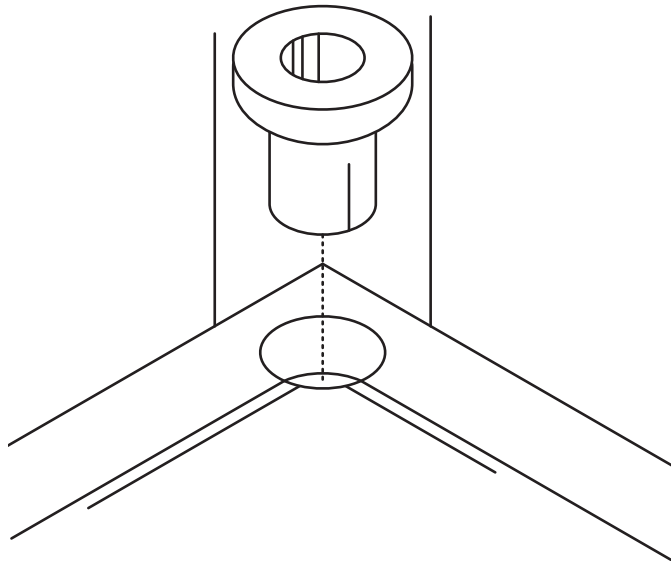
NEXT, SCREW IN THREADED END OF THE "B" TUBE INTO THE LED TUBE.

ASSEMBLY INSTRUCTIONS MANUAL

65847 65848 - LED LIGHT KIT FOR 48" & 70" METAL FRAMED FULL VISION SHOWCASE

STEP 5

PLACE THE TUBE COVER INTO THE PRE-DRILLED HOLE, LOCATED IN THE FRONT CORNER OF THE DISPLAY.



STEP 6

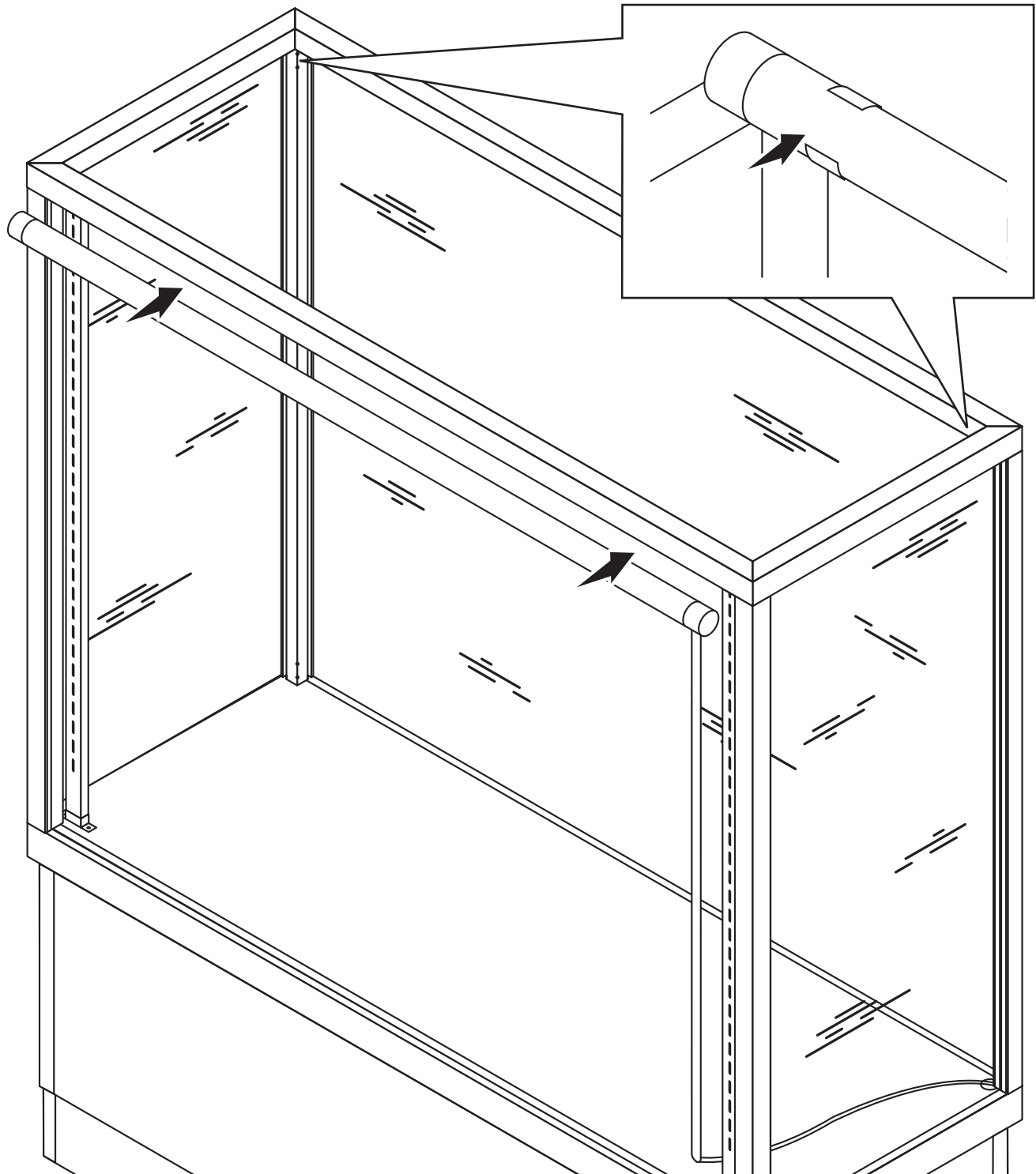
THREAD THE EXCESS LED WIRE THROUGH THE TUBE COVER.

ASSEMBLY INSTRUCTIONS MANUAL

65847 65848 - LED LIGHT KIT FOR 48" & 70"
METAL FRAMED FULL VISION SHOWCASE

STEP 7

CAREFULLY SLIDE IN THE LED TUBE ASSEMBLY INTO THE DISPLAY. ALIGN WIRE TUBE WITH TUBE COVER, SLIDE IN AND CLIP LED TUBE INTO PLACE.

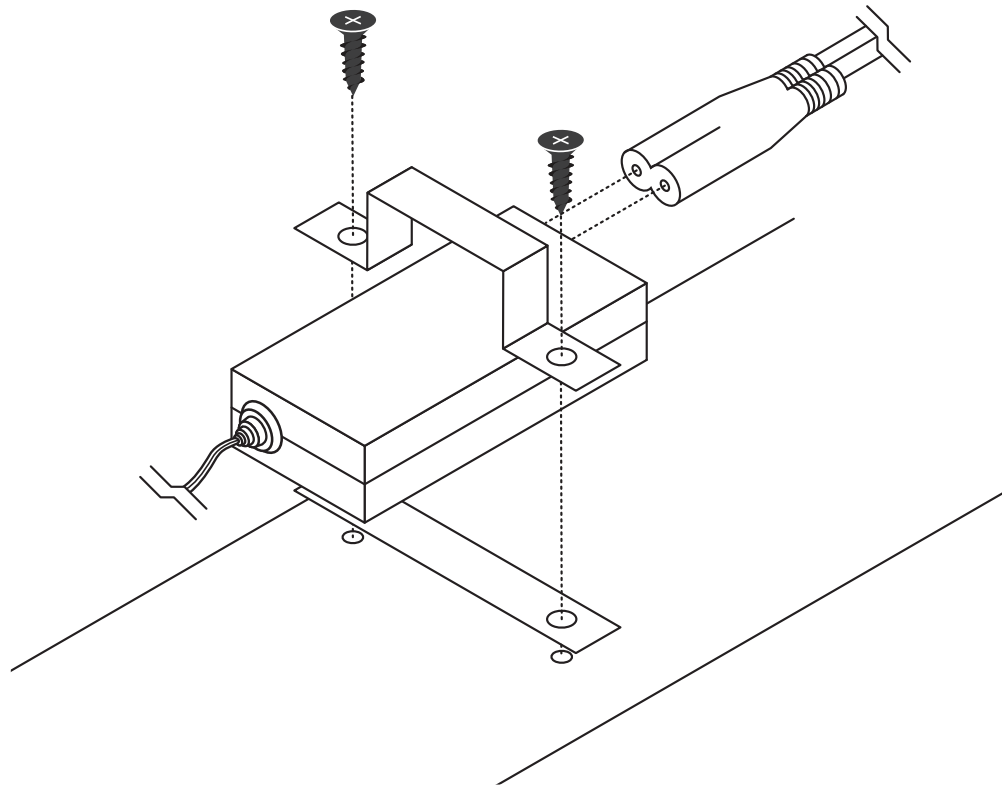


ASSEMBLY INSTRUCTIONS MANUAL

65847 65848 - LED LIGHT KIT FOR 48" & 70" METAL FRAMED FULL VISION SHOWCASE

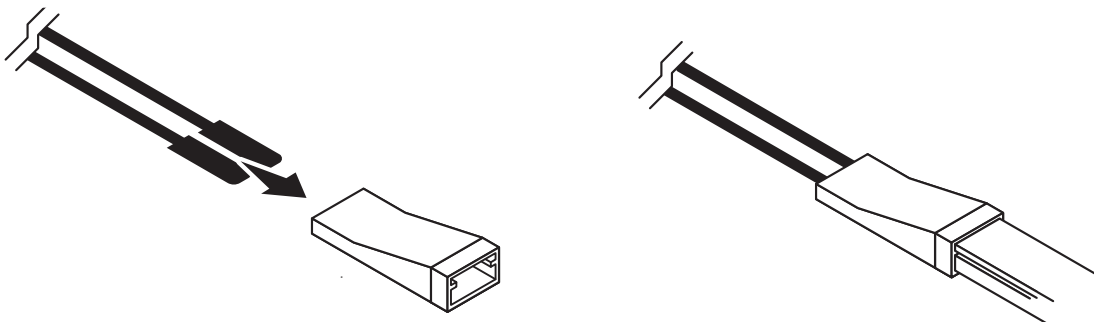
STEP 8

TO COMPLETE THIS INSTALLATION, THE DISPLAY WILL NEED TO BE ACCESSED FROM THE BOTTOM. PLACE THE TRANSFORMER BRACKET OVER THE TRANSFORMER AND SCREW (#2 SCREWS) INTO PLACE WITH THE PRE-DRILLED HOLES . **DO NOT OVER TIGHTEN.**



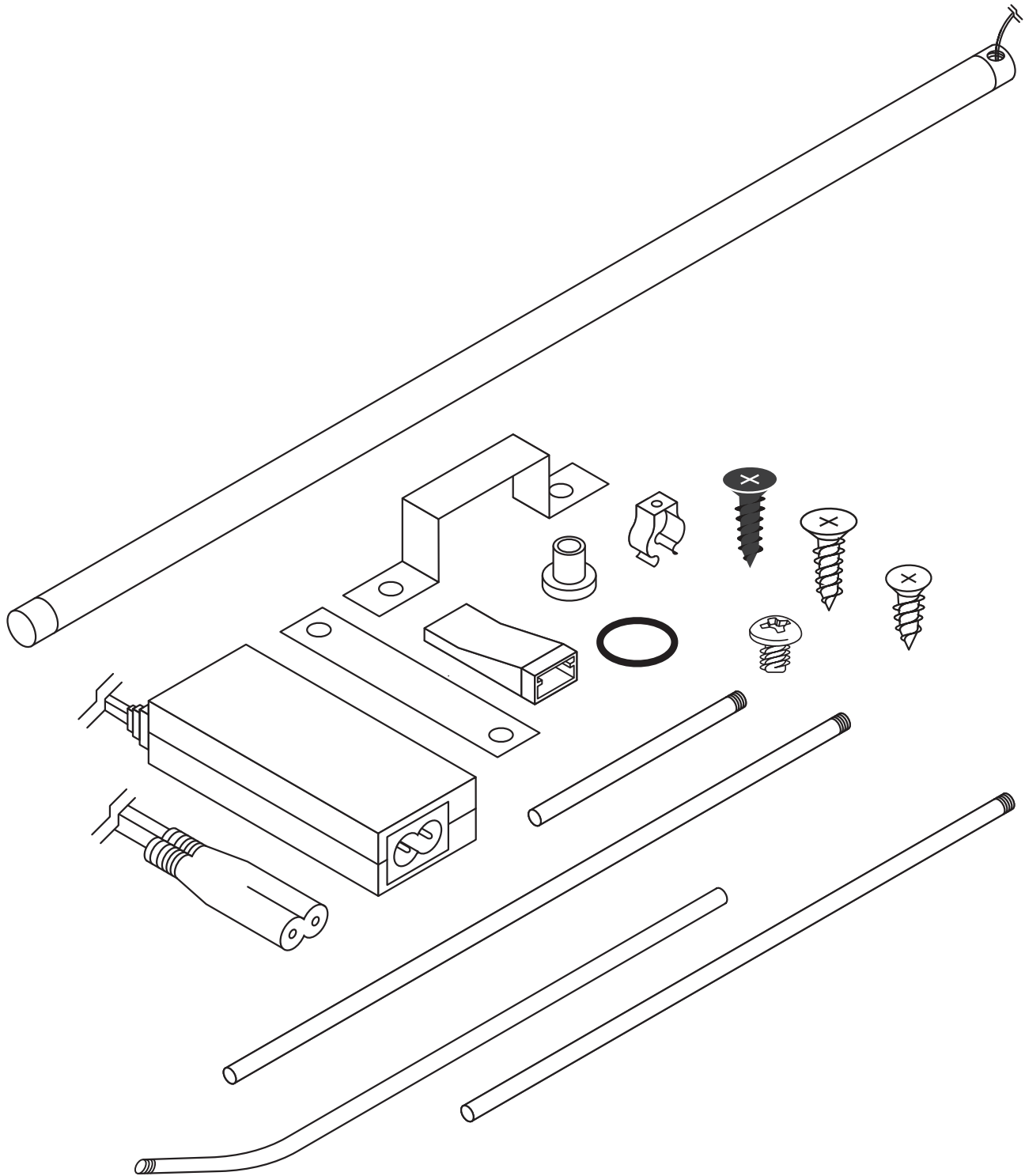
STEP 9

LASTLY, SLIDE THE BARE WIRES INTO THE WIRE CLIPS, THEN CONNECT. (**NOTE: THE WIRES CAN BE ON EITHER SIDE**) INSTALLATION IS COMPLETE.



ASSEMBLY INSTRUCTIONS MANUAL

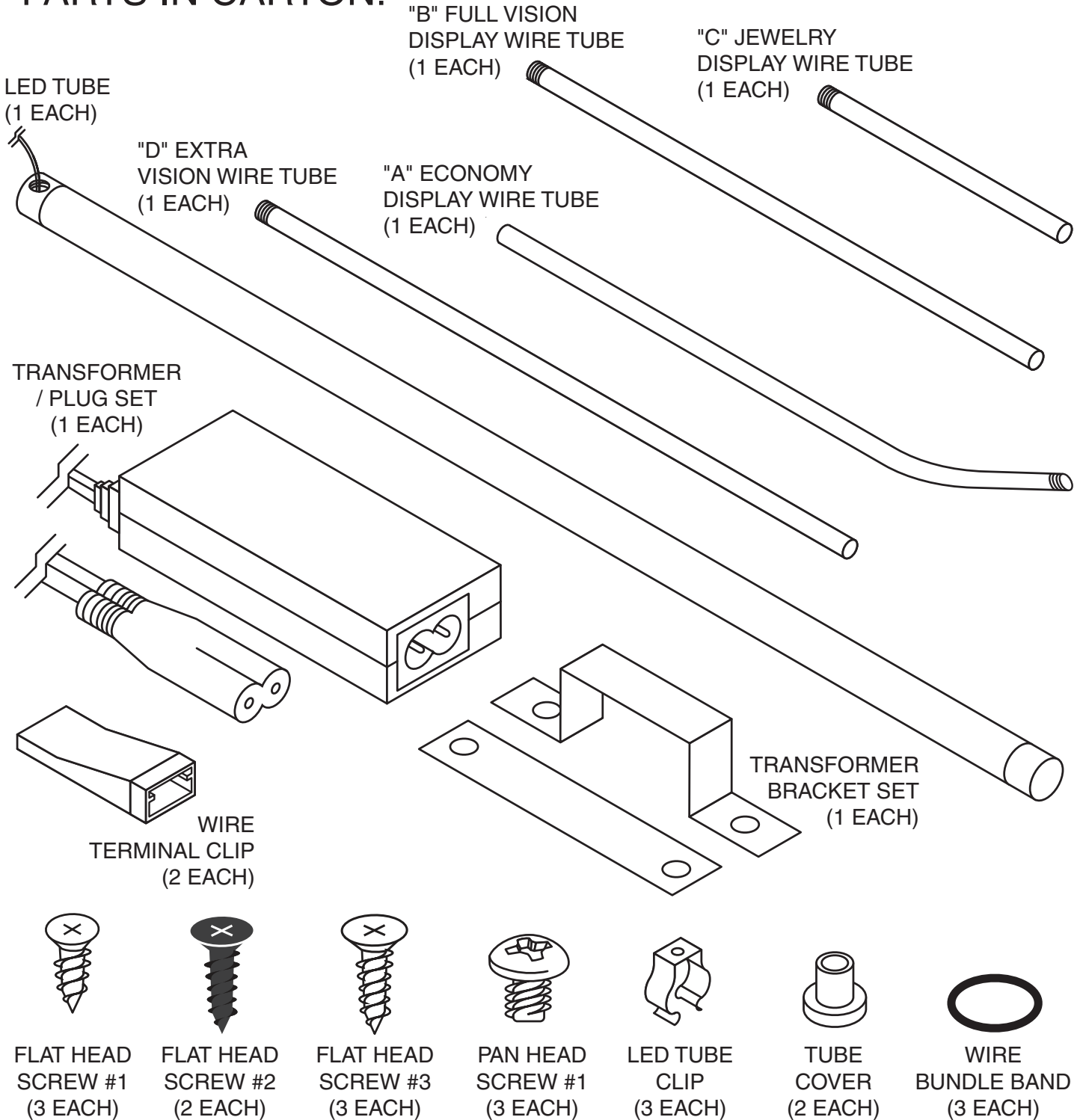
65847 65848 - LED LIGHT KIT FOR 48" & 70"
METAL FRAMED EXTRA VISION SHOWCASE



ASSEMBLY INSTRUCTIONS MANUAL

65847 65848 - LED LIGHT KIT FOR 48" & 70" METAL FRAMED EXTRA VISION SHOWCASE

PARTS IN CARTON:



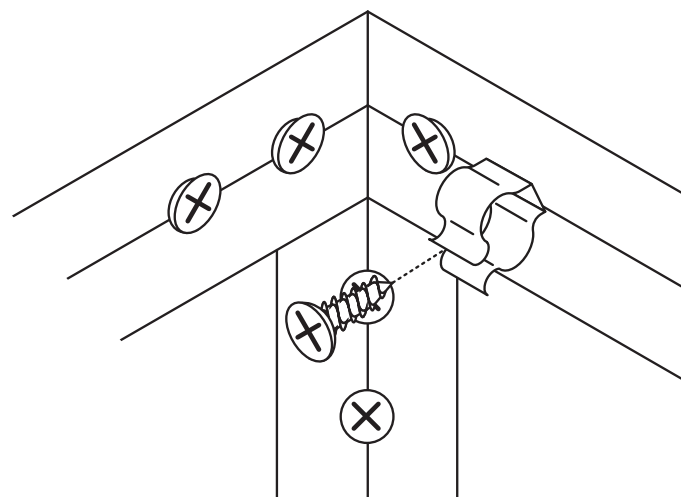
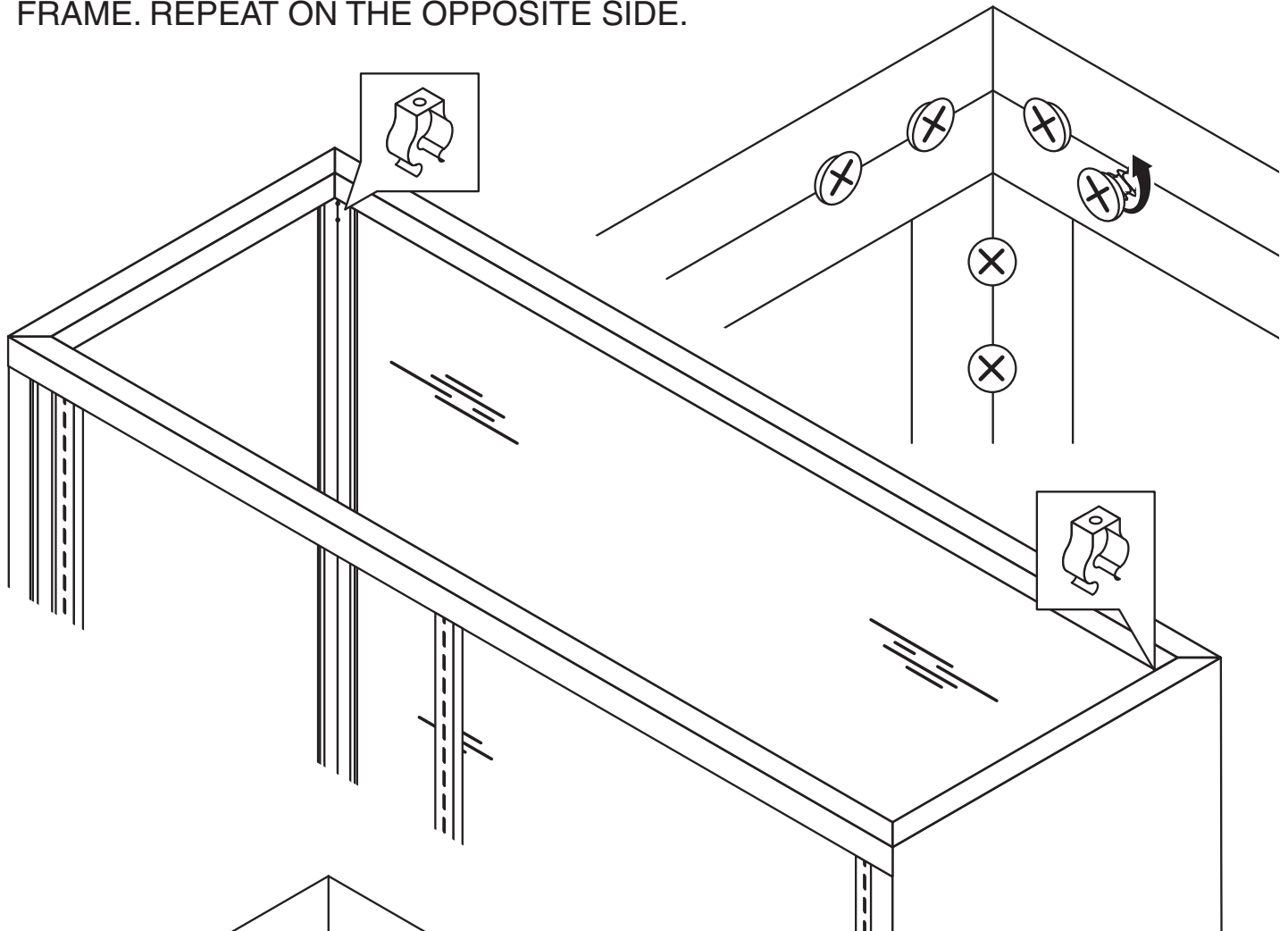
YOU WILL NEED TO SUPPLY YOUR OWN DRILL OR SCREWDRIVER
FOR INSTALLATION.

ASSEMBLY INSTRUCTIONS MANUAL

65847 65848 - LED LIGHT KIT FOR 48" & 70" METAL FRAMED EXTRA VISION SHOWCASE

STEP 1

REMOVE FRONT INNER MOST SCREW FROM THE FRAME. REPEAT ON THE OPPOSITE SIDE.



STEP 2

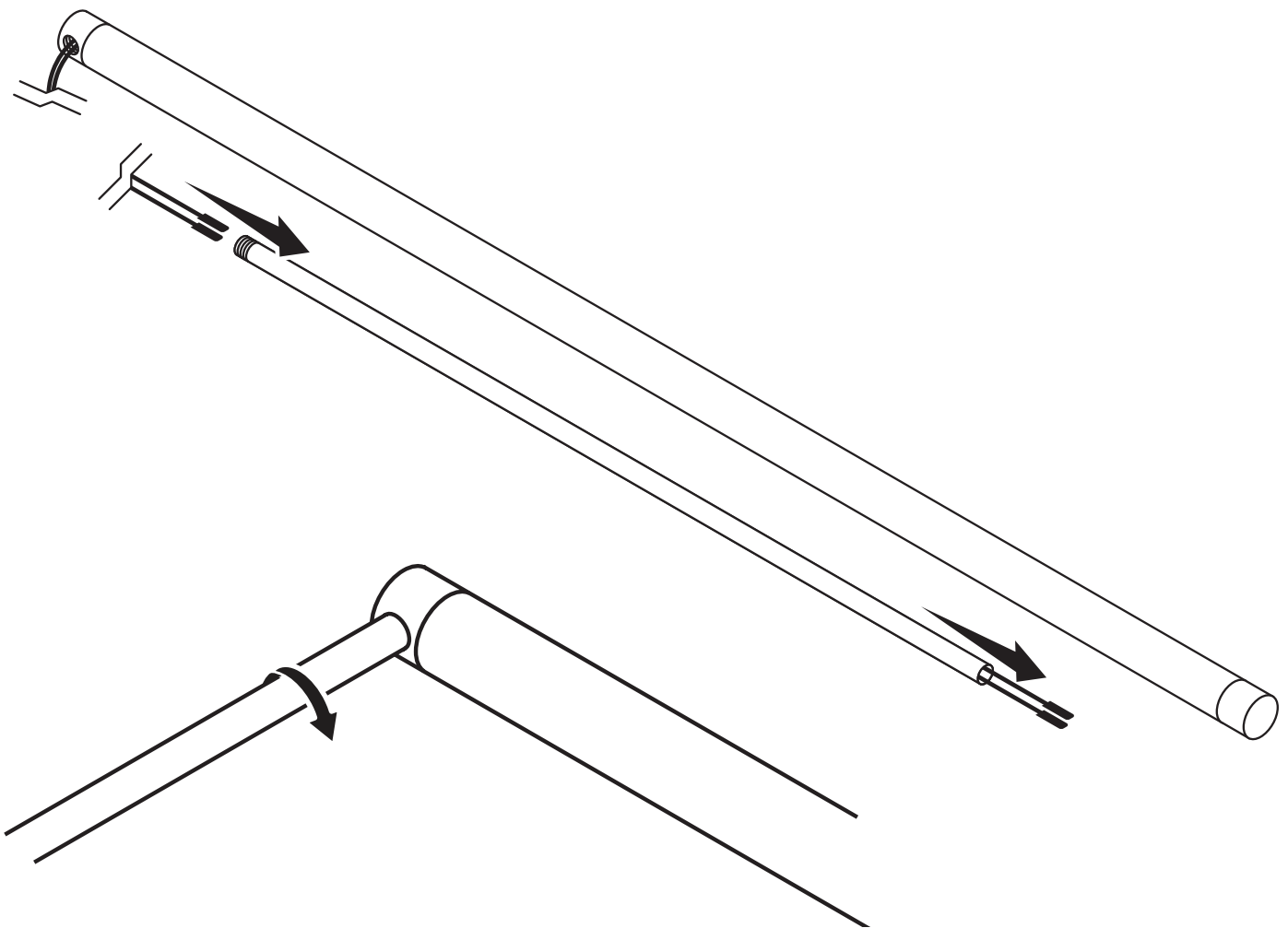
REPLACE (REMOVED) SCREWS WITH NEW FLAT HEAD SCREW #1. PLACE TUBE CLIP INTO PLACE AND TIGHTEN SCREW. REPEAT ON OPPOSITE SIDE

ASSEMBLY INSTRUCTIONS MANUAL

65847 65848 - LED LIGHT KIT FOR 48" & 70" METAL FRAMED EXTRA VISION SHOWCASE

STEP 3

TAKE THE WIRES FROM THE LED BAR AND THREAD THEM THROUGH THE "D" EXTRA VISION WIRE TUBE, **STARTING FROM THE THREADED END OF THE TUBE.**



STEP 4

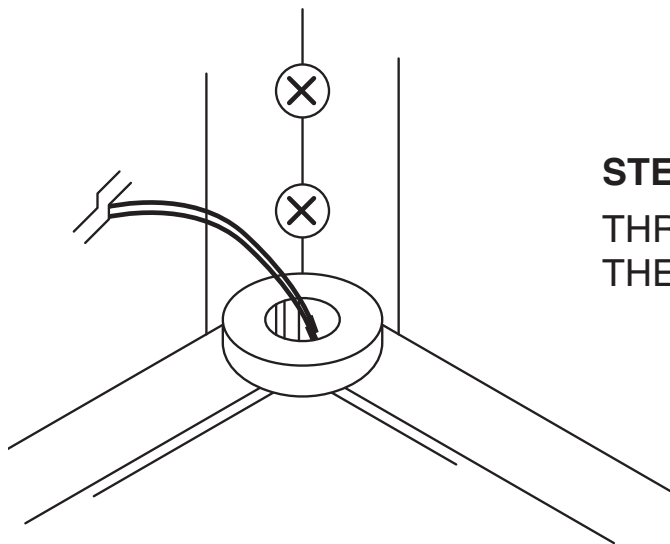
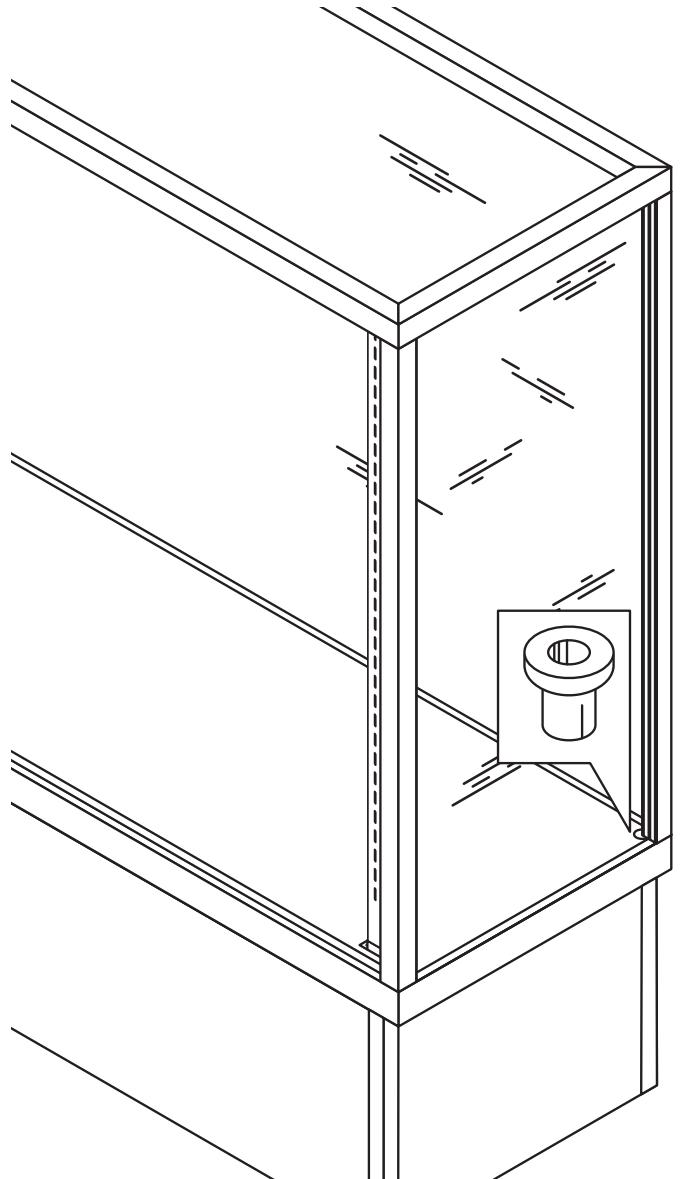
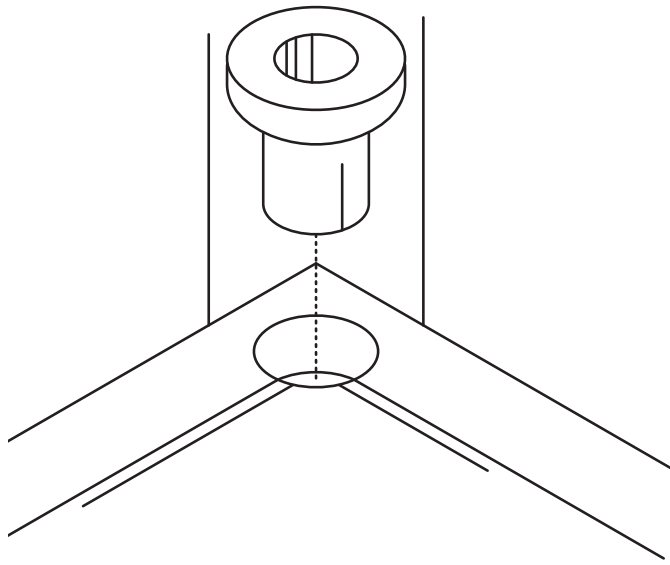
NEXT, SCREW IN THREADED END OF THE "D" TUBE INTO THE LED TUBE.

ASSEMBLY INSTRUCTIONS MANUAL

65847 65848 - LED LIGHT KIT FOR 48" & 70" METAL FRAMED EXTRA VISION SHOWCASE

STEP 5

PLACE THE TUBE COVER INTO
THE PRE-DRILLED HOLE, LOCATED
IN THE FRONT CORNER OF THE
DISPLAY.



STEP 6

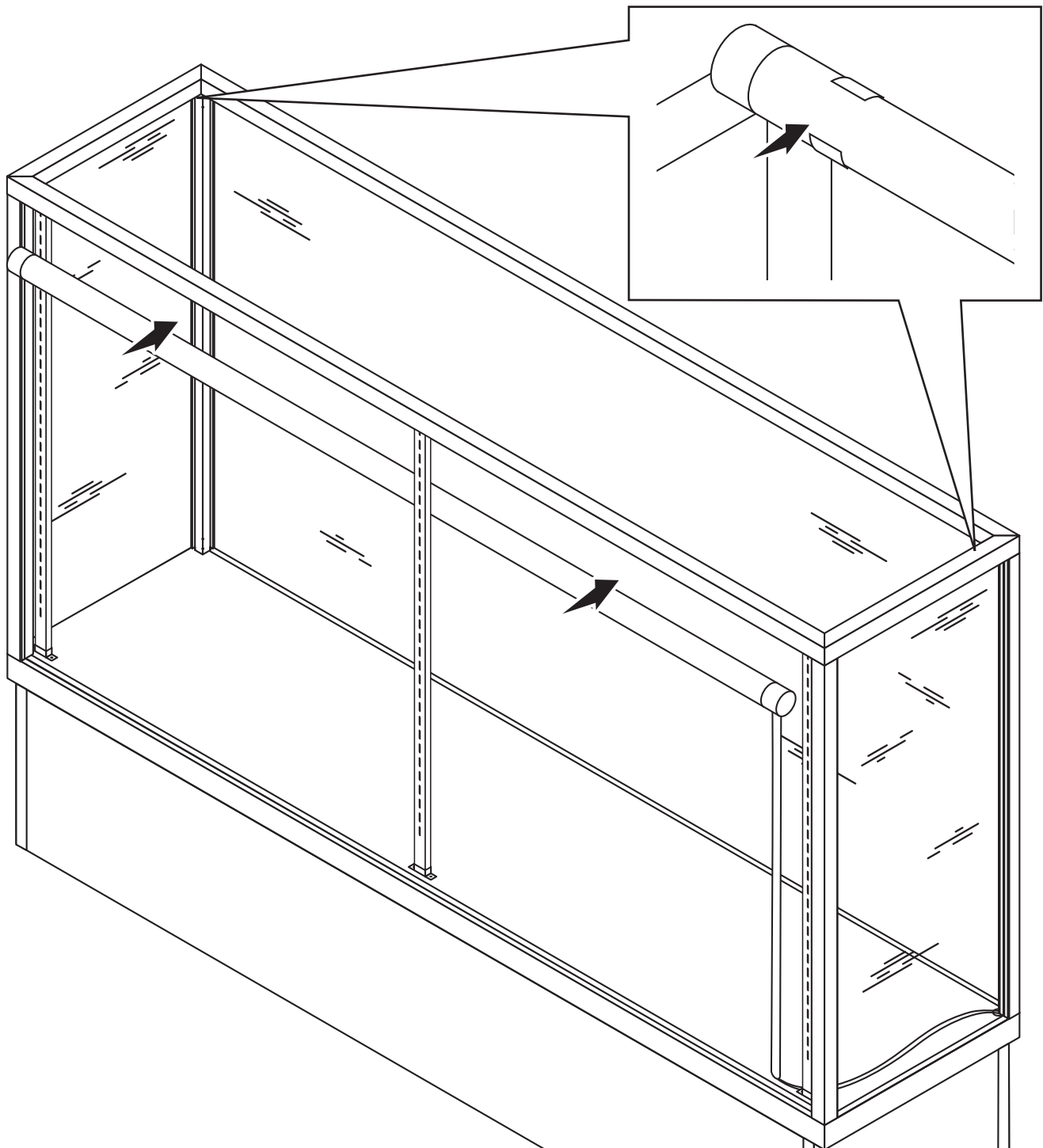
THREAD THE EXCESS LED WIRE THROUGH
THE TUBE COVER.

ASSEMBLY INSTRUCTIONS MANUAL

65847 65848 - LED LIGHT KIT FOR 48" & 70" METAL FRAMED EXTRA VISION SHOWCASE

STEP 7

CAREFULLY SLIDE IN THE LED TUBE ASSEMBLY INTO THE DISPLAY. ALIGN WIRE TUBE WITH TUBE COVER, SLIDE IN AND CLIP LED TUBE INTO PLACE.

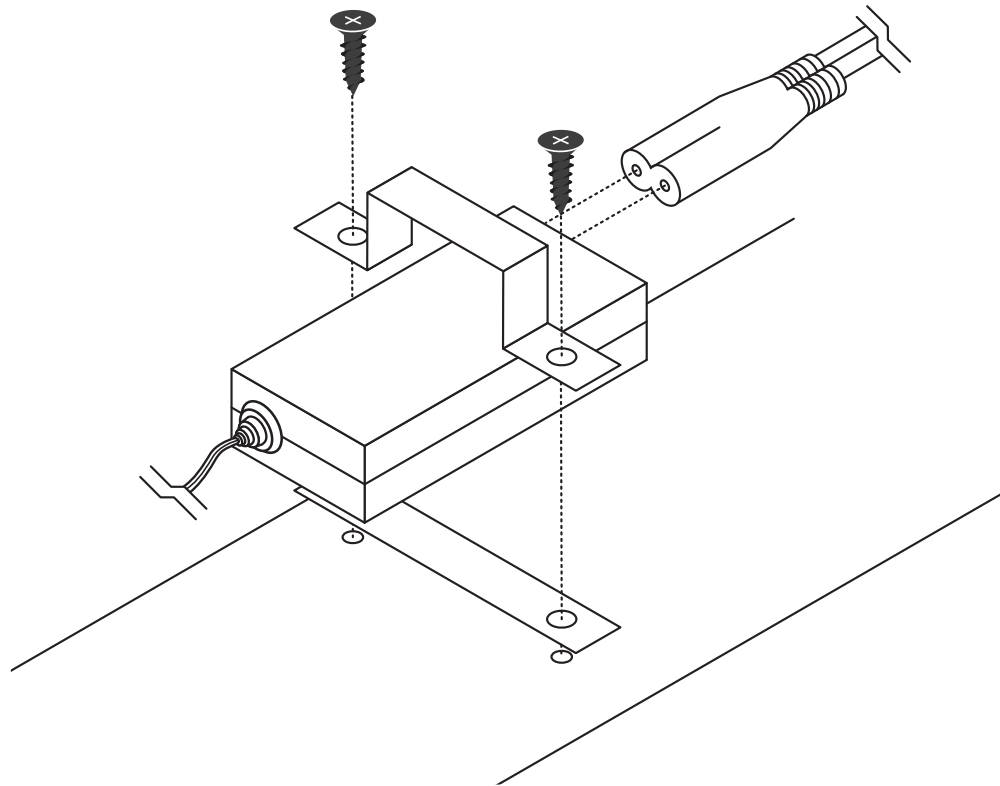


ASSEMBLY INSTRUCTIONS MANUAL

65847 65848 - LED LIGHT KIT FOR 48" & 70" METAL FRAMED EXTRA VISION SHOWCASE

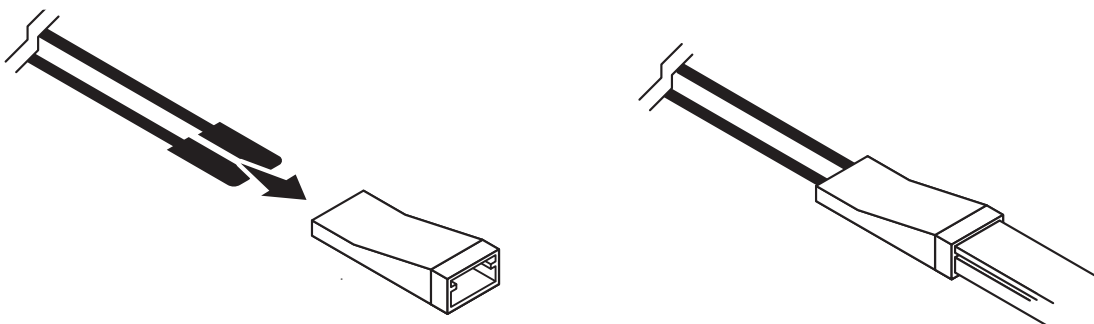
STEP 8

TO COMPLETE THIS INSTALLATION, THE DISPLAY WILL NEED TO BE ACCESSED FROM THE BOTTOM. PLACE THE TRANSFORMER BRACKET OVER THE TRANSFORMER AND SCREW (#2 SCREWS) INTO PLACE WITH THE PRE-DRILLED HOLES . **DO NOT OVER TIGHTEN.**



STEP 9

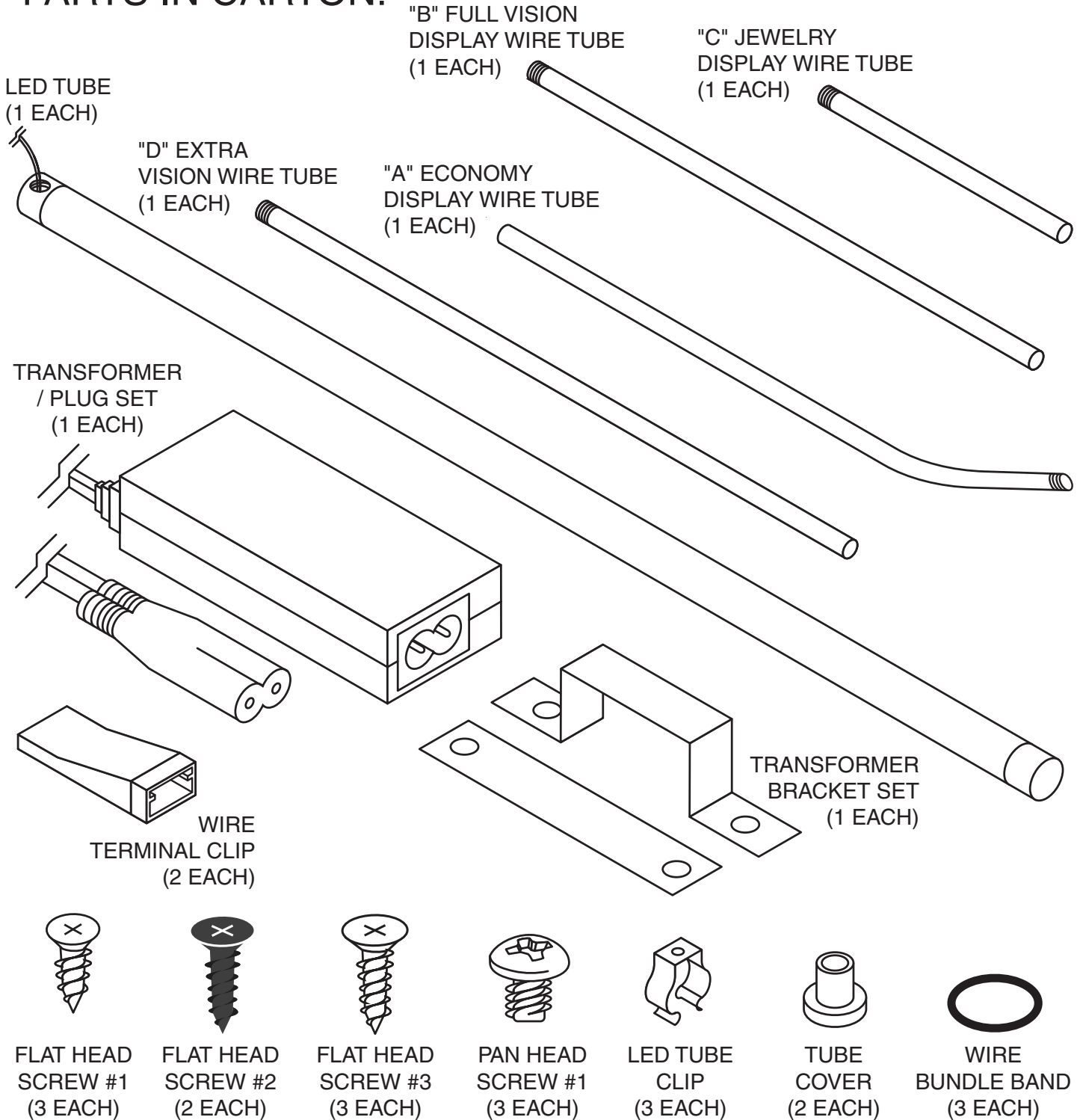
LASTLY, SLIDE THE BARE WIRES INTO THE WIRE CLIPS, THEN CONNECT. **(NOTE: THE WIRES CAN BE ON EITHER SIDE)** INSTALLATION IS COMPLETE.



ASSEMBLY INSTRUCTIONS MANUAL

65847 65848 - LED LIGHT KIT FOR 48" & 70" METAL FRAMED JEWELRY SHOWCASE

PARTS IN CARTON:



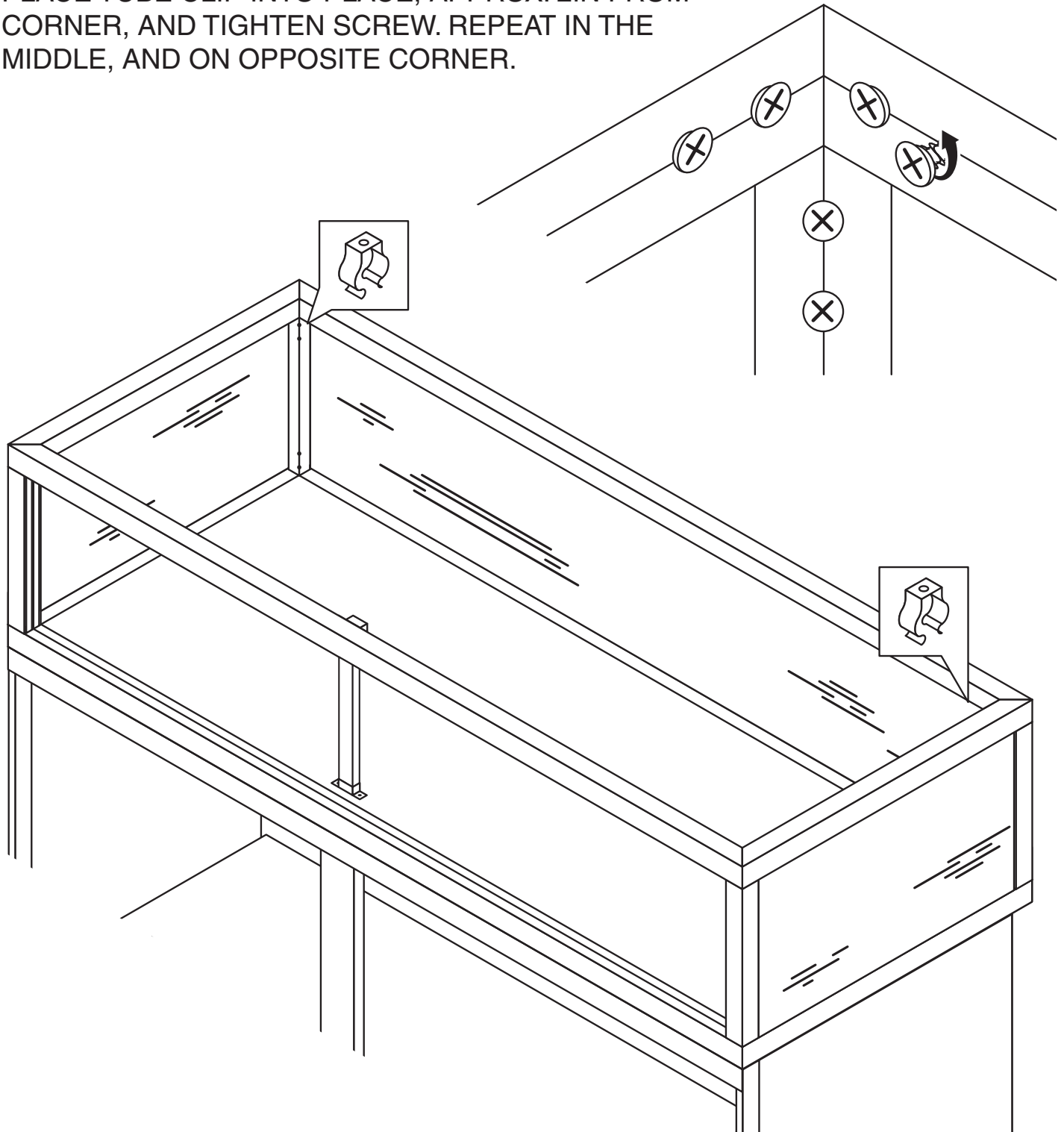
YOU WILL NEED TO SUPPLY YOUR OWN DRILL OR SCREWDRIVER
FOR INSTALLATION.

ASSEMBLY INSTRUCTIONS MANUAL

65847 65848 - LED LIGHT KIT FOR 48" & 70" METAL FRAMED JEWELRY SHOWCASE

STEP 1

PLACE TUBE CLIP INTO PLACE, APPROX. 2IN FROM CORNER, AND TIGHTEN SCREW. REPEAT IN THE MIDDLE, AND ON OPPOSITE CORNER.

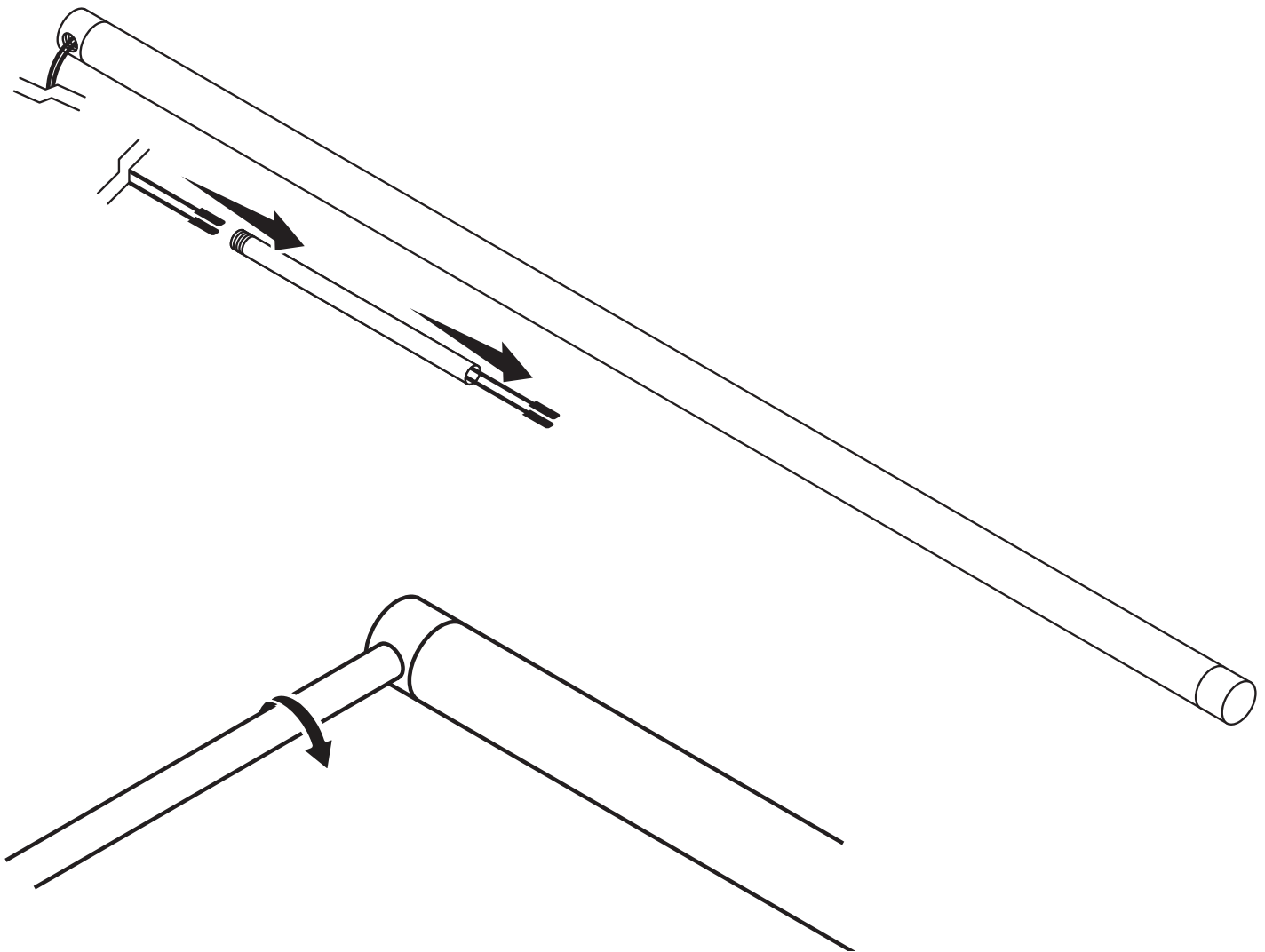


ASSEMBLY INSTRUCTIONS MANUAL

65847 65848 - LED LIGHT KIT FOR 48" & 70" METAL FRAMED JEWELRY SHOWCASE

STEP 2

TAKE THE WIRES FROM THE LED BAR AND THREAD THEM THROUGH THE "C" EXTRA VISION WIRE TUBE, **STARTING FROM THE THREADED END OF THE TUBE.**



STEP 3

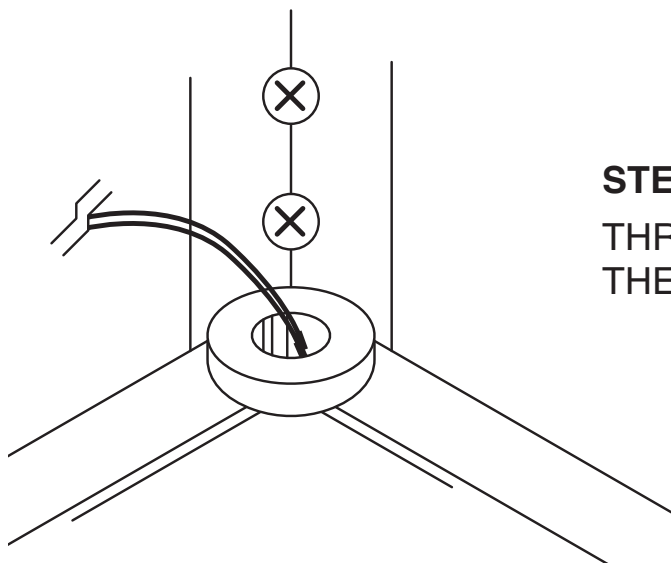
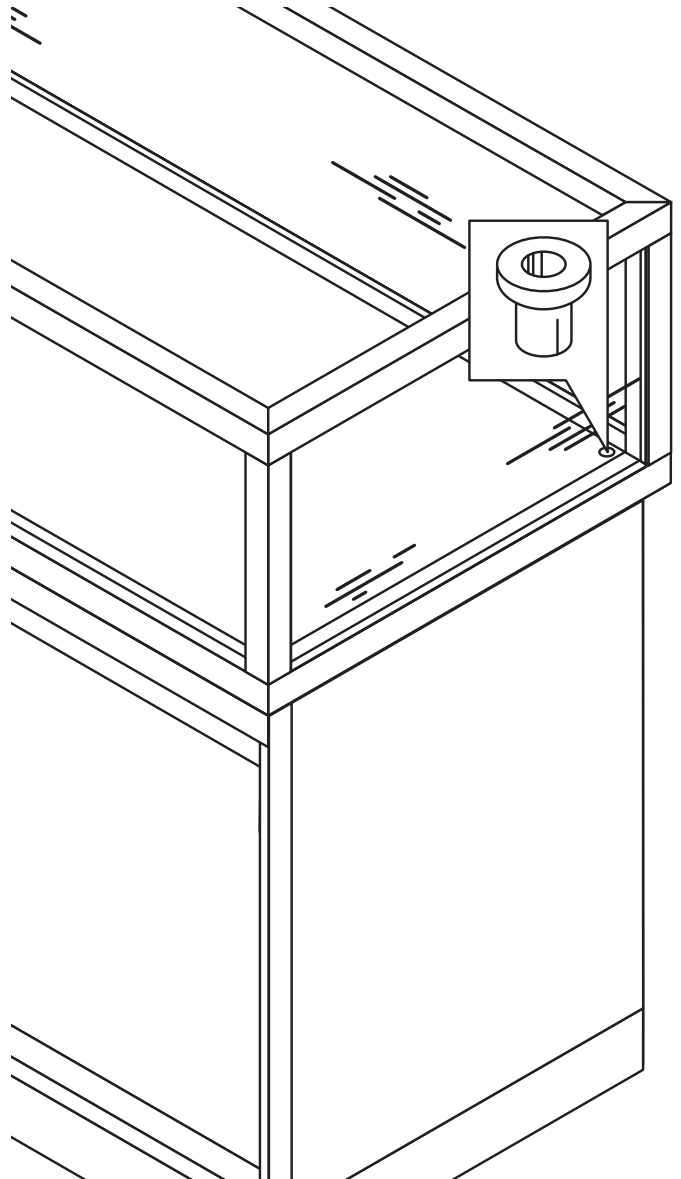
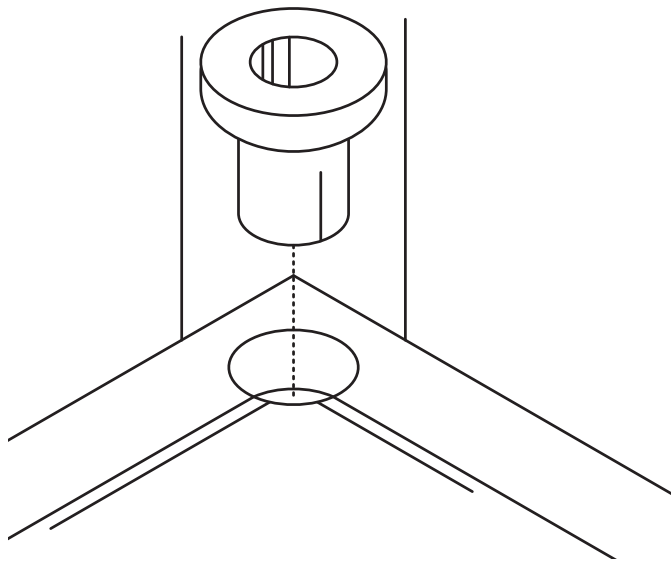
NEXT, SCREW IN THREADED END OF THE "C" TUBE INTO THE LED TUBE.

ASSEMBLY INSTRUCTIONS MANUAL

65847 65848 - LED LIGHT KIT FOR 48" & 70" METAL FRAMED JEWELRY SHOWCASE

STEP 4

PLACE THE TUBE COVER INTO THE PRE-DRILLED HOLE, LOCATED IN THE FRONT CORNER OF THE DISPLAY.



STEP 5

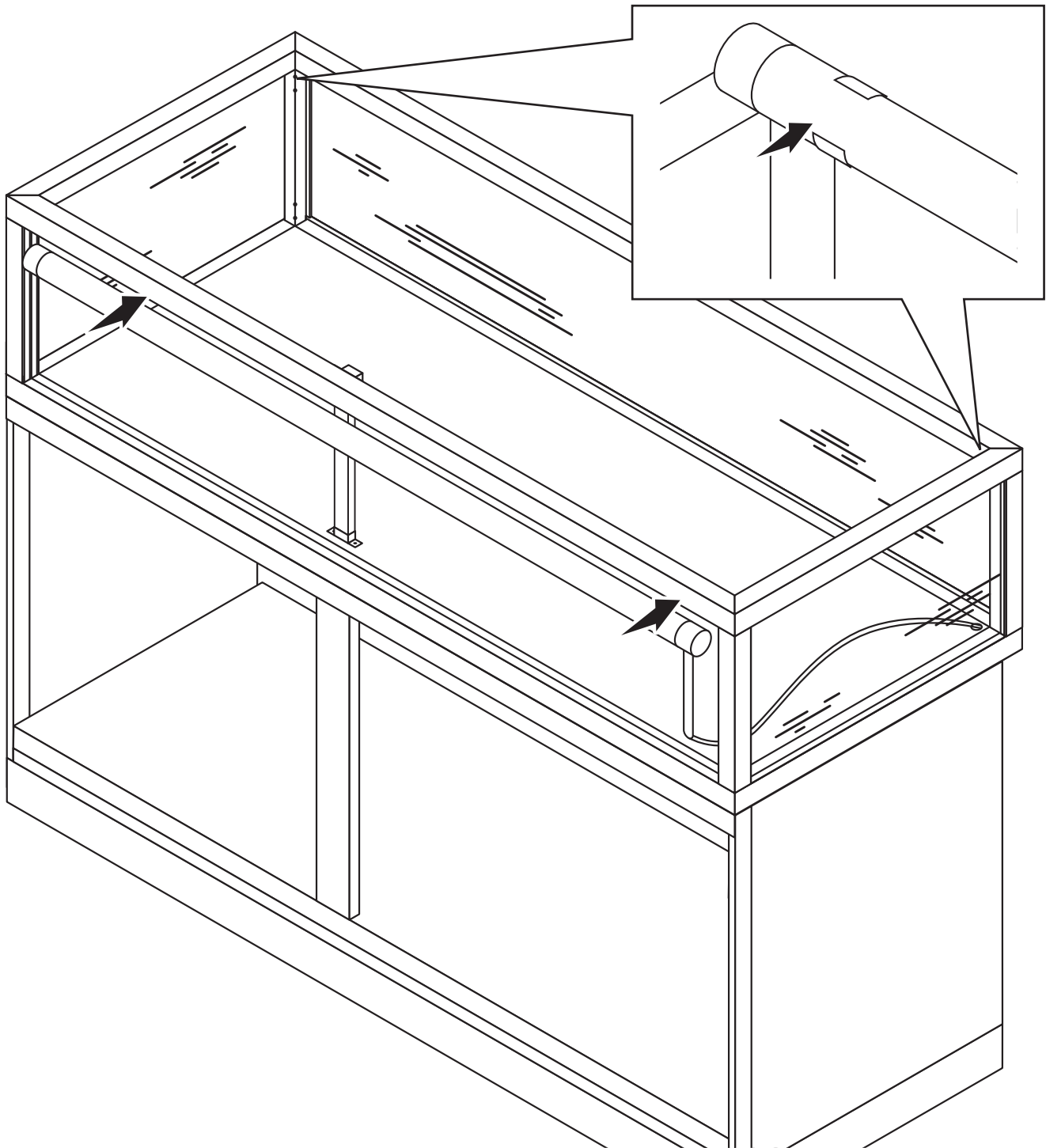
THREAD THE EXCESS LED WIRE THROUGH THE TUBE COVER.

ASSEMBLY INSTRUCTIONS MANUAL

65847 65848 - LED LIGHT KIT FOR 48" & 70" METAL FRAMED JEWELRY SHOWCASE

STEP 6

CAREFULLY SLIDE IN THE LED TUBE ASSEMBLY INTO THE DISPLAY. ALIGN WIRE TUBE WITH TUBE COVER, SLIDE IN AND CLIP LED TUBE INTO PLACE.

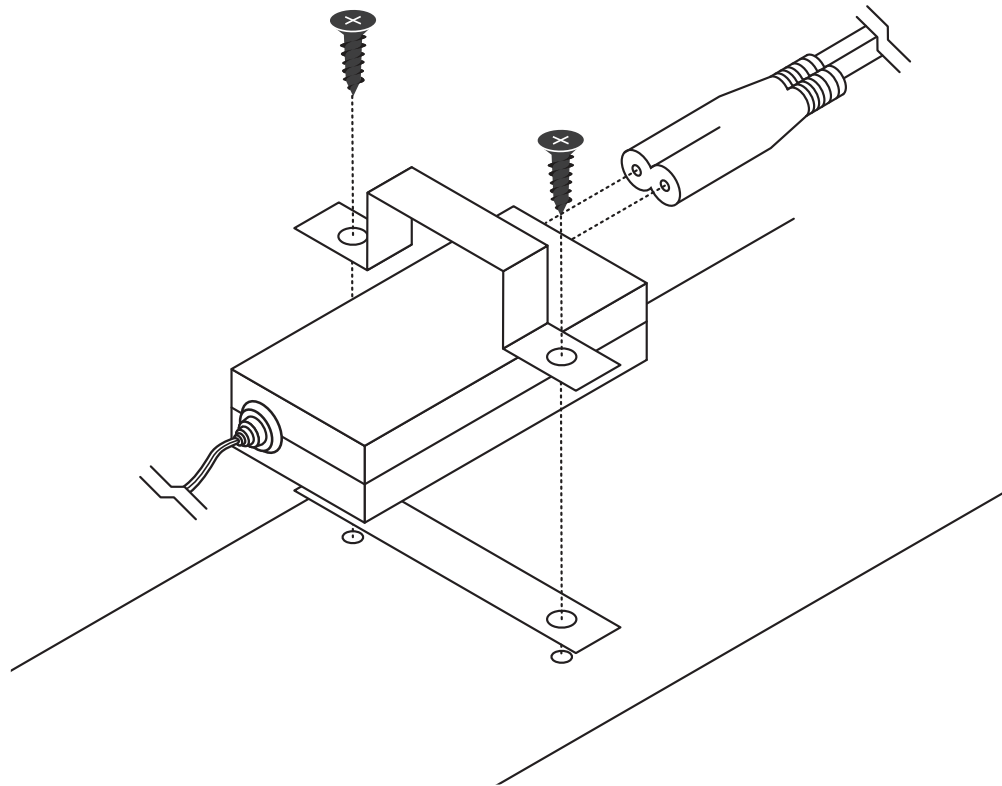


ASSEMBLY INSTRUCTIONS MANUAL

65847 65848 - LED LIGHT KIT FOR 48" & 70" METAL FRAMED JEWELRY SHOWCASE

STEP 7

TO COMPLETE THIS INSTALLATION, THE DISPLAY WILL NEED TO BE ACCESSED FROM THE BOTTOM. PLACE THE TRANSFORMER BRACKET OVER THE TRANSFORMER AND SCREW (#2 SCREWS) INTO PLACE WITH THE PRE-DRILLED HOLES . **DO NOT OVER TIGHTEN.**



STEP 8

LASTLY, SLIDE THE BARE WIRES INTO THE WIRE CLIPS, THEN CONNECT. **(NOTE: THE WIRES CAN BE ON EITHER SIDE)** INSTALLATION IS COMPLETE.

